

PANEL FABRICATION



PILOT LIGHTS L4000 SERIES

DESCRIPTION

The **L4000 Series** replaceable incandescent pilot lights with associated colored lenses can be mounted to control panels to provide instantaneous status indication of mechanical equipment such as fans, pumps, compressors, or control circuits.

FEATURES

- **Low cost**
- **Noncorrosive black polyester body**
- **Nickel-plated brass terminals for positive contact**
- **Sturdy polycarbonate lenses**
- **Simple installation with nylon hex nut**
- **Replaceable incandescent lamps**



SSG1-11/16
with
L4017 & L4018



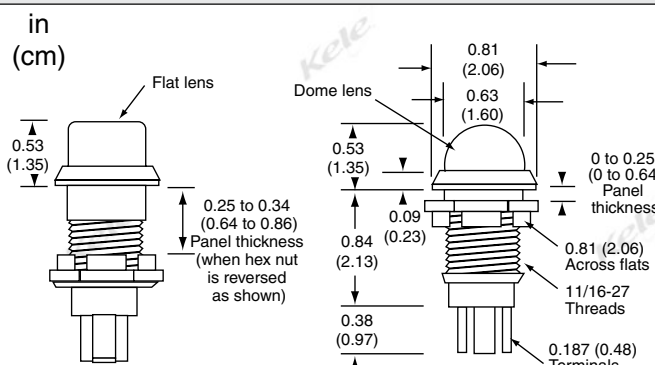
SPECIFICATIONS

Terminals	Nickel plated brass
Body Material	Black polyester
Bezel	Polished stainless steel
Lens	Polycarbonate, flat or round
Mounting	11/16" (1.75 cm) dia hole, supplied with polyester hex nut, threaded
Approvals	UL-recognized component, File #E20325; CSA recognized, File #LR13346

Model	Supply Voltage	Supply Current	Life Expectancy
12PSB5	12 VAC/VDC	0.17A	12,000 hours
24PSB5	24 VAC/VDC	0.073A	10,000 hours
28PSB5	28 VAC/VDC	0.04A	5,000 hours
120PSB5	120 VAC/VDC	0.025A	5,000 hours
5SBF200OCW028B	24/28 VDC	0.015A	50,000 hours
5SBF200OCW120A	120 VAC	0.010A	50,000 hours

*Average life ratings are based on shock-free, vibration-free, transient-free continuous operation. Incandescent lamps should not be connected across inductive loads, such as a relay coil or solenoid, without a varistor or transorb to prevent voltage transients from damaging the filament.

DIMENSIONS



ORDERING INFORMATION

SOCKET		LAMPS	
MODEL	DESCRIPTION	MODEL	DESCRIPTION
L4017	Lamp socket, 11/16" dia threaded (requires lens and lamp)	12PSB5	Lamp, 12 VAC/VDC
		24PSB5	Lamp, 24 VAC/VDC
		28PSB5	Lamp, 28 VAC/VDC
		120PSB5	Lamp, 120 VAC/VDC
		5SBF200-OCW-028B	LED, 24/28 VDC
		5SBF200-OCW-120A	LED, 120 VAC
ROUND LENSES		FLAT LENSES	
L4018	Round lens, red	L4025	Flat lens, red
L4019	Round lens, clear	L4026	Flat lens, clear
L4020	Round lens, amber	L4027	Flat lens, amber
L4021	Round lens, white	L4028	Flat lens, white
L4022	Round lens, green	L4029	Flat lens, green
L4023	Round lens, blue	L4030	Flat lens, blue
L4024	Round lens, yellow	L4031	Flat lens, yellow

RELATED PRODUCTS

SSG1-11/16	Wall plate box mount 11/16" hole
NFD2218-187	Female Disconnect 22-18
NFD1614-187	Female Disconnect 16-14