



# PRESSURE

## SNUBBERS, PIGTAIL 47B-1, 47S-1, 747B, 747S, PT

### DESCRIPTION

**Snubbers** will stop shocks and pulsations that damage pressure instruments, thus cutting costs of maintenance, calibration, and repair. They will also assure accuracy of the instruments and the readings, increase life of instruments, and prevent false operation of control equipment. Kele offers two types of pressure snubbers; piston and porous.

#### Model 47 Snubbers

**Model 47** incorporates a piston that moves up and down inside of an internal tube within the snubber. This movement of the piston, caused by the shocks and pulsations of the fluid, dampens the effect of these pulsations.

**Model 47** comes with three piston sizes: #02, #2, and #3. Piston #2 is installed in the factory in the snubber. It is used for most applications, such as water and air. The #3 piston is used for a greater snubbing effect, while the #02 piston is used for relatively thick fluids or low pressure water applications.

#### Model 747 Snubbers

**Model 747** is a porous snubber and a low-cost alternative to piston snubbers. There are no moving parts. It uses a porous material to dampen the effect of shocks and pulsations. The **Model 747** is available in stainless steel and brass, and it is ordered based on the application, gases or liquids.

#### Model PT

In steam pressure monitoring, the temperature of the steam is higher than the maximum operating temperature of most pressure transmitters. A **Model PT steam pigtail syphon** will protect a pressure transmitter applied to steam systems. See the "Technical Reference" section in the Kele catalog for more detailed information.



The **Model PT** is constructed of steel and is suitable for steam pressure to 250 psig (1724 kPa) 400°F (204°C). Each is furnished with two 1/4" FPT x 1/8" FPT couplings and one 1/8" MPT x 1/8" MPT nipple for convenient installation.

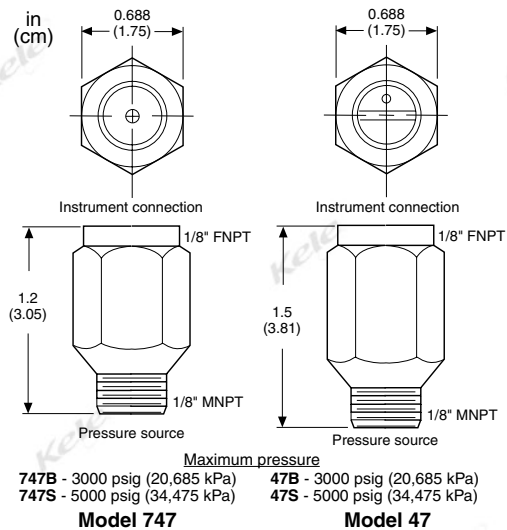
PRESSURE

17

### SPECIFICATIONS

<b>Maximum Pressure</b>	
Brass Snubbers	3000 psig (20,685 kPa)
SS Snubbers	5000 psig (34,475 kPa)
PT	250 psig (1724 kPa)
<b>Maximum Temperature</b>	
PT	400°F (204°C)
<b>Materials Of Construction</b>	
Snubbers	Brass, Stainless Steel
PT	Steel
<b>Process Connection</b>	
Snubbers	1/8" MNPT
PT	1/4" NPT (1/8" NPT fittings provided)
<b>Dimensions</b>	
747 Series	1.2"H X 0.69" diameter (3.05 X 1.75 cm)
47 Series	1.5"H X 0.69" diameter (3.81 X 1.75 cm)
PT	5.5" L (14 cm)

### DIMENSIONS



### ORDERING INFORMATION

MODEL	DESCRIPTION
47B-1	Brass piston style snubber
47S-1	Stainless steel piston style snubber
747BE-1	Brass porous style snubber for light oil and water
747BG-1	Brass porous style snubber for air and other gases
747SE-1	Stainless steel porous style snubber for light oil and water
747SG-1	Stainless steel porous style snubber for air and other gases
PT	1/4" pigtail syphon with fittings