

# TEMPERATURE

## IMMERSION THERMISTOR AND RTD SENSORS BA/IMMERSION SERIES



### DESCRIPTION

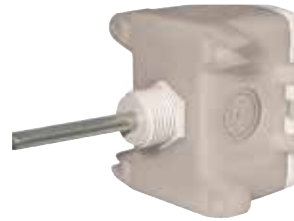
The **BAPI BA Series Thermistor and RTD Immersion Sensors** are designed specifically for HVAC systems. They come in thermistor and RTD sensors and feature double encapsulated sensor etched Teflon leadwires to create a watertight package that can perform in the real world.

### FEATURES

- $\pm 0.36^{\circ}\text{F}$  ( $\pm 0.2^{\circ}\text{C}$ ) thermistor accuracy
- $\pm 0.27^{\circ}\text{F}$  ( $\pm 0.15^{\circ}\text{C}$ ) or  $\pm 0.54^{\circ}\text{F}$  ( $\pm 0.3^{\circ}\text{C}$ ) RTD
- Lifetime limited sensor warranty
- Wide selection of mounting styles



BA/10K2-I8-JB



BA/10K2-I2-BB4



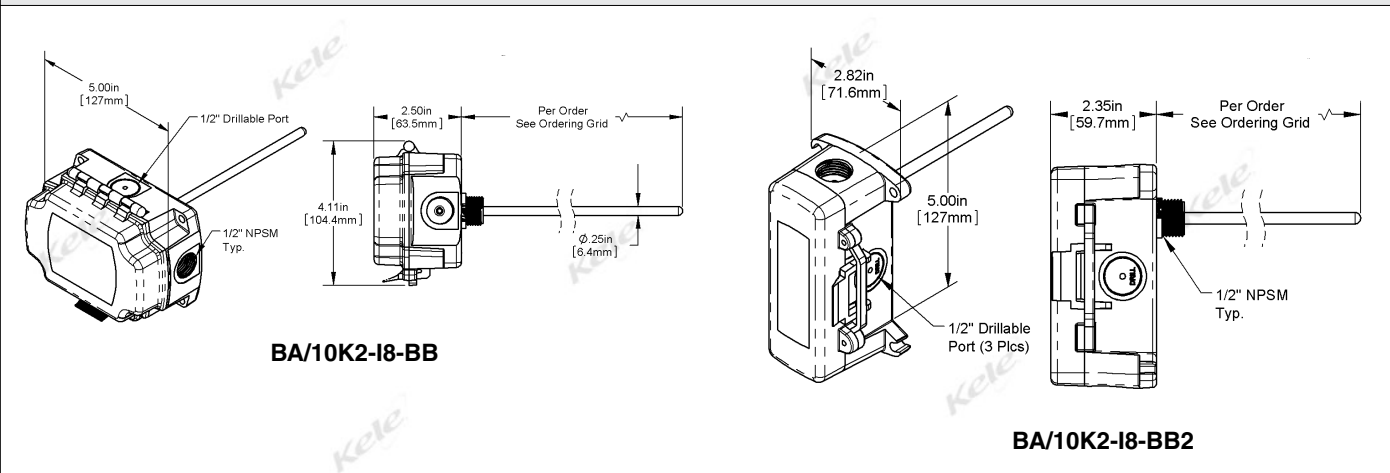
BA/10K2-I4-BB2



### SPECIFICATIONS

<b>Accuracy</b>		<b>Enclosure Rating</b>	
<b>Thermistor</b>	$\pm 0.36^{\circ}\text{F}$ ( $0.2^{\circ}\text{C}$ )	<b>JB</b>	NEMA 1, 2" x 4" J-box with 1/2" knockouts
<b>RTD</b>	$\pm 0.55^{\circ}\text{F}$ ( $0.30^{\circ}\text{C}$ )	<b>BB</b>	NEMA 4, BAPI Box Enclosure - IP66 rated, UV-resistant polycarbonate
<b>Sensor Type</b>		<b>BB2</b>	NEMA 4, BAPI Box 2 Enclosure - IP66 rated, UV-resistant polycarbonate
<b>Thermistor</b>	10 k $\Omega$ Type II & III	<b>BB4</b>	NEMA 1, BAPI Box 4- IP20 nylon & plastic
<b>RTD</b>	100 $\Omega$ , 1000 $\Omega$ , 385 curve; 1000 $\Omega$ , 375 curve	<b>WP</b>	NEMA 3R Aluminum
<b>Temperature Range</b>	32 $^{\circ}$ to 158 $^{\circ}\text{F}$ ( $-0^{\circ}$ to 70 $^{\circ}\text{C}$ )	<b>Mounting</b>	Directly to pipe
<b>Stability</b>		<b>Wiring Terminations</b>	22 AWG wire, etched teflon leads
<b>Thermistor</b>	<0.036 $^{\circ}\text{F}$ ( $0.02^{\circ}\text{C}$ ) per year	<b>Weight</b>	
<b>RTD</b>	0.14 $^{\circ}\text{C}$ with 6,000 continuous hours at 400 $^{\circ}\text{C}$	<b>I2</b>	0.65 lb (0.29 Kg)
<b>Heat Dissipation</b>	2.7 mW/ $^{\circ}\text{C}$ (power need to raise the temperature 1 $^{\circ}\text{C}$ ), 0.4 $^{\circ}\text{C}/\text{mW}$ at 0 $^{\circ}\text{C}$	<b>I4 &amp; I8</b>	0.8 lb (0.36 Kg)
		<b>Approvals</b>	CE, RoHS
		<b>Warranty</b>	Lifetime

### DIMENSIONS



BA/10K2-I8-BB

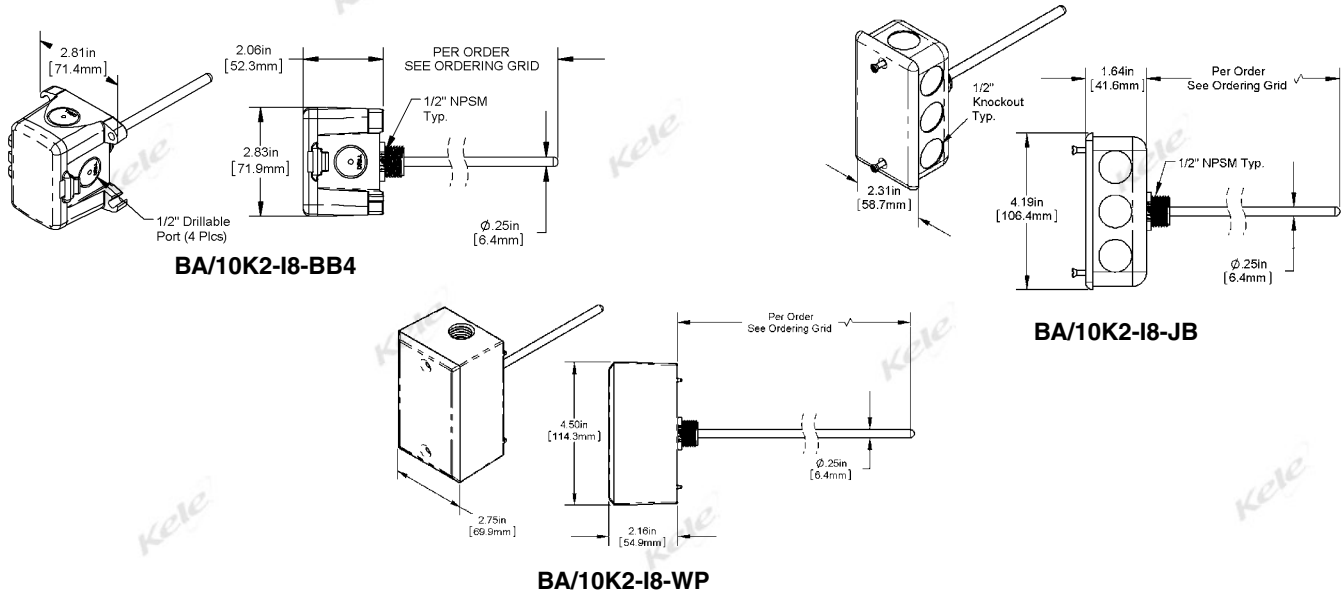
BA/10K2-I8-BB2



# TEMPERATURE

## IMMERSION THERMISTOR AND RTD SENSORS BA/IMMERSION SERIES

### DIMENSIONS



### ORDERING INFORMATION

MODEL	DESCRIPTION
BA/	Probe temperature sensor
<b>REQUIRED SENSOR TYPE</b>	
10K2	10,000Ω thermistor @ 77°F (25°C), Type II
10K3	10,000Ω thermistor @ 77°F (25°C), Type III
100	100Ω RTD @ 32°F (0°C), 385 curve
1K	1000Ω RTD @ 32°F (0°C), 385 curve
1K375	1000Ω RTD @ 32°F (0°C), 375 curve
<b>REQUIRED PROBE TYPE AND LENGTH</b>	
I2	Immersion probe 2" long, 1/2" well thread Order <b>BA/2</b> well separately
I4	Immersion probe 4" long, 1/2" well thread Order <b>BA/4</b> well separately
I8	Immersion probe 8" long, 1/2" well thread Order <b>BA/8</b> well separately
<b>REQUIRED MOUNTING ENCLOSURE</b>	
NB	No box with 18" leads
JB	2" x 4" J-box with 1/2" knockouts
BB	NEMA 4 weatherproof, UV resistant plastic
BB2	BAPI-Box 2 enclosure - IP66 rated, UV resistant polycarbonate
WP	NEMA 3R weatherproof enclosure

BA/ — 10K3 — I8 — JB **Example: BA/10K3-I8-JB** BAPI 8" immersion 10,000Ω thermistor sensor with JB box

### RELATED PRODUCTS

<b>T85U-XR</b>	1000 ohm, Type 85 4-20 mA temperature transmitter, custom rangeable
<b>T81U-XR</b>	100 ohm, Type 81 4-20 mA temperature transmitter, custom rangeable
<b>T91U-XR</b>	1000 ohm, Type 91 4-20 mA temperature transmitter, custom rangeable
<b>BA/2</b>	2" BAPI stainless steel well
<b>BA/4</b>	4" BAPI stainless steel well
<b>BA/8</b>	8" BAPI stainless steel well