

# Air Velocity Transmitter Type A2G-20

WIKA Datasheet A2G-20

air2guide

## Applications

- For measuring air velocity and temperature in gaseous media of heating, ventilation and air-conditioning systems
- Building automation and process control systems
- Supply and exhaust fan tracking
- Clean room control systems

## Special Features

- Simple installation
- High reliability
- Three air velocity ranges, one temperature range selectable by jumpers
- Two output signals in one instrument
- Comes standard with duct mounting flange

## Standard Features

### Design standards

EMC directive:	2004/108/EC
RoHS directive:	2002/95/EC
Low voltage directive:	2006/95/EC
WEEE directive:	2002/96/EC

### Measuring ranges

Air velocity:  
Measuring range 0...390 FPM (2 m/s), 0...1,970 FPM (10 m/s) and 0...3,940 FPM (20 m/s)  
(Range selectable via jumper. Unit cannot be selected)  
Temperature: +32...+122°F

### Accuracy

Air velocity:  
Measuring range 0 ... 390 FPM : < 19.6 FPM (±) 5% of measured value  
Measuring range 0...1,970 FPM : < 98.1 FPM (±) 5% of measured value  
Measuring range 0 ... 3,940 FPM : <196.2 FPM (±) 5% of measured value  
Temperature: <0.5 °C (>1.2 °F)



Air velocity transmitter Type A2G-20

### Operating temperature

Ambient: +32 ... +122 °F  
Storage: -4 ... +158 °F  
Operation: +32 ... +122 °F, max. 85% rH

### Ingress protection

IP 54 per EN 60529 / IEC 529 (NEMA 3)

## Standard features

### Measuring element

Pt1000 and NTC10k

### Case

Plastic (ABS)

### Electrical connection

PG-gland M16

## Output signal

Air velocity:

0 ... 10 V (linear to FPM), load min. 1 kOhm or

4 ... 20 mA (linear to FPM), load max. 400 Ohm

Temperature:

0 ... 10 V (linear to °F), load min. 1 kOhm or

4 ... 20 mA (linear to °F), load max. 400 Ohm

## Supply voltage

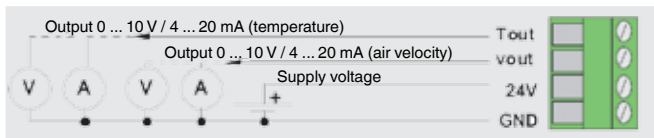
AC/DC 24 V  $\pm$ 10 %

## Type of mounting

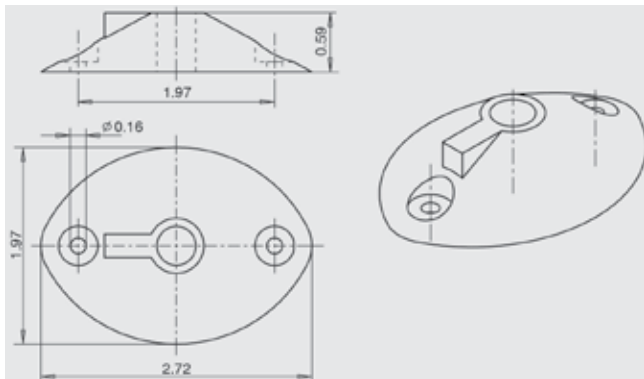
Duct installation

## Standard accessories

## Wiring diagram



## Mounting flange



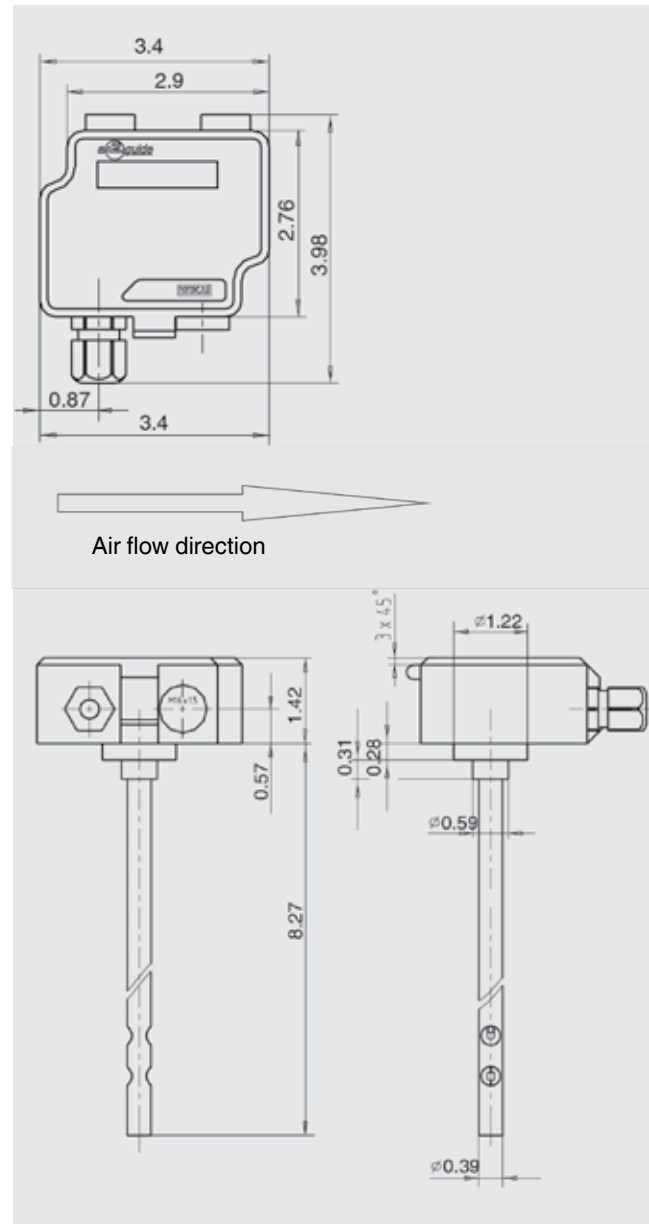
The specifications given in this document represent the state of engineering at the time of publishing. We reserve the right to make modifications to the specifications and materials.

## Mounting flange

## Options

- LC display for measured value display
- LC display for measured value display and relay (potential-free, change-over contact, max. AC 250 V, 6 A, DC 30 V, 6 A, adjustable switch point and hysteresis)

## Dimensions in inches



**WIKA Instrument, LP**

1000 Wiegand Boulevard

Lawrenceville, GA 30043-5868

Tel: 888-WIKA-USA • 770-513-8200

Fax: 770-338-5118

E-Mail: [info@wika.com](mailto:info@wika.com)

[www.wika.com](http://www.wika.com)