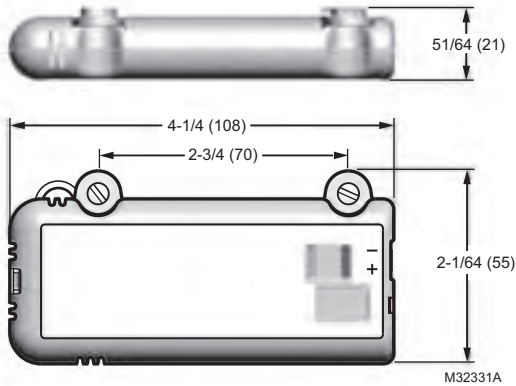


C7600 Humidity Sensor for Economizers



Dimensions in inches (millimeters)



The C7600A,C Solid State Humidity Sensors sense relative humidity in air and are used with controllers that can process a 4 to 20 mA signal.

- Sensor enclosed in rugged glass-fiber reinforced plastic case.
- Compact size and lightweight construction for easy mounting in duct or on wall.
- Cover vents allow air flow to humidity sensing element inside.
- 4 to 20 mA output to relative air humidity.
- Can be used indoors or outdoors.
- The C7600A provides 4-20 mA output inversely proportional to air relative humidity.
- The C7600C provides 4-20 mA output directly proportional to air relative humidity.

Application: Solid State Humidity Sensor

Sensor Type: 4-20 mA output

Color: Gray

Mounting: Mounted in any position where it is exposed to freely circulating air.

Operating Temperature Range: -40 F to 150 F (-40 C to 66 C)

Operating Humidity Range (% RH): 10 to 90% RH

Electrical Connections: Two 1/4 in. quick-connect terminals

Approvals

Underwriters Laboratories, Inc: Component Recognized

Product Number	Application Type	Maximum Ambient Temperature	
		(F)	(C)
C7600A2008/U	Provides 4-20 mA output inversely proportional to air relative humidity	150 F	66 C
C7600C2001/U	Provides 4-20 mA output directly proportional to air relative humidity.	150 F	66 C

C7660 Selectable Temperature Sensor



Application: Selectable Temperature Sensor

Dimensions, Approximate: 4 5/32 in. high x 3 7/8 in. wide x 1 in. deep
(81 mm high x 96 mm wide x 25 mm deep)

Sensor Type: 4 or 20mA Output

Color: Black

C7660 Selectable Temperature Sensor is used with the W7459, W7215, W7212, W7213 and W7214 Economizer Controls. The economizer controls are mounted on an M7415/M7215 Actuator. They permit the use of outdoor air as the first stage of cooling in heating, ventilating and air conditioning (HVAC) systems.

The C7660 Selectable Temperature Sensor is only to be used with single temperature change over with the sensor located in the outdoor air.

- Senses temperature of outdoor air and provides a signal to economizer control with OK or not OK to economize
- Selectable dip switch provides 8 change over temperature options
- When temperature of outdoor air is below change over temperature, the outdoor air damper is opened to reduce the cooling load in the building
- Provides 4 OR 20 mA output signal to economizer control;
At 4 mA not OK to economize, 20 mA OK to economize
- Highly accurate microprocessor control
- Sensor is enclosed in a rugged, corrosion-resistant plastic case
- Replaces C7650 temperature sensors and the control function of temperature change over in the economizer contro

Mounting: Mounted in any position where it is exposed to freely circulating air

Operating Temperature Range: -40 to 150 F (-40 to 66 C)

Electrical Connections: Two 1/4 in. quick-connect terminals

Approvals

Underwriters Laboratories, Inc: Flammability Rating 94-5V (cUL)

Product Number	Application Type	Description	Used With
C7660A1000/U	Duct outside (supply) or return	Selectable Temperature Sensor	W7210, W7212, W7213, W7214, W7215, W7459, W7460