



GAS & SPECIALTY SENSORS

TOXIC AND COMBUSTIBLE GAS SENSORS

CM6, GD6, TX-6-AM, TX-6-HS, TX-6-ND

GAS DETECTION
Macurco

AERIONICS

DESCRIPTION

The Macurco™ CM6, GD6, TX-6-AM, TX-6-HS, TX-6-ND, RD-6, CD-6 & OX-6 Series are low voltage, dual relay detectors, controllers and transducers. Each device has selectable 4-20 mA output, buzzer and digital display options. It is an electronic detection system used to measure the concentration of various gases. The **CM6** is a low level meter capable of displaying from 0-200 ppm of carbon monoxide. The **GD6** is a low level meter capable of displaying from 0-50% L.E.L of Methane, Propane or Hydrogen. The **TX-6-AM** is a low level meter capable of displaying from 0-100 ppm of NH3 (Ammonia). The **TX-6-ND** is a low level meter capable of displaying from 0-20 ppm of NO2 (Nitrogen Dioxide). The **TX-6-HS** is a low level meter capable of displaying from 0-50 ppm of H2S (Hydrogen Sulfide).



CM6



7

GAS & SPECIALTY SENSORS

FEATURES

- *Easy calibration*
- *Selectable fan and alarm activation*
- *Mounts on standard 4x4 electrical box*
- *Internally supervised system*
- *Easy functional verification*
- *Adjustable setpoints*
- *Digital display*

SPECIFICATIONS

Supply Voltage	12 to 24 VAC @ 3 VA or 12 to 32 VDC @ 125 mA, reverse polarity protected	Display 3 digit LED Buzzer	85 dba @ 4"(10cm)
Accuracy	±5% of range	Time Range	Fan and Alarm: relay minimum run time: selectable Off (default), 3, 5, 10 or 15 minutes
Supply Current	Stand by 23 mA @ 24 VDC Fan relay 50 mA @ 24 VDC Both relays (alarm) 75 mA @ 24 VDC	Relay Output	Fan: 5A, 240 VAC, pilot duty SPDT Alarm: 0.5A @ 200Volts, 10 VA, (1 ppm DIF)
Signal Output	4-20 mA @ 900Ω	Time Delay	Fan and Alarm: Selectable at 0, 1, 3 (default), 5 and 10 minutes
Output Range (4-20 mA)		Wiring Terminations	Plugs/terminals
CM-6	0-200 ppm	Operating Temperature	0° to 125°F (-18° to 52°C)
GD6	0-50% L.E.L Methane, Propane, Hydrogen	Operating Humidity	10 to 90% RH
TX-6-AM	0-100 ppm NH3	Enclosure Rating	NEMA 1
TX-6-ND	0-20 ppm NO2	Dimensions	4.5"W x 4.0"H x 2.125"D (11.4 x 10.2 x 5.4 cm)
TX-6-HS	0-50 ppm H2S	Weight	1.0 lbs (0.45 Kg)
RD-6	0-1,000PPM	Approvals	ETL Listed to UL 61010-1, CAN/CSA C22.2 No 61010-1
OX-6	0-25% v/v	Warranty	2 years
CD-6	0-2,000PPM		
Life Expectancy	7+ years		
Visual Indication	LED (1) Status (green)		

GAS & SPECIALTY SENSORS

TOXIC AND COMBUSTIBLE GAS SENSORS

CM6, GD6, TX-6-AM, TX-6-HS, TX-6-ND

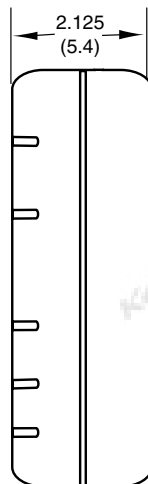
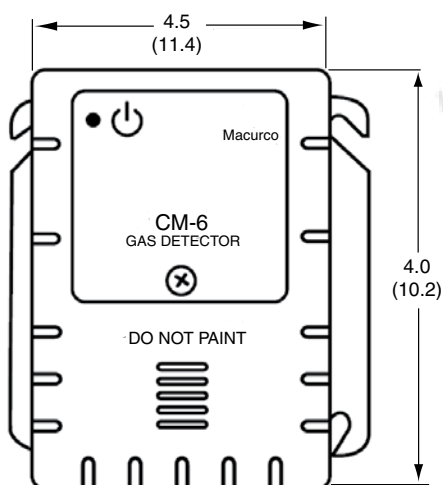


7

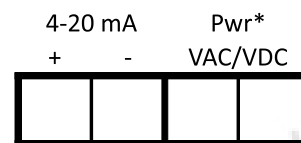
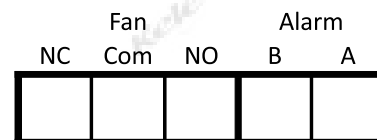
GAS & SPECIALTY SENSORS

DIMENSIONS/WIRING

in
(cm)

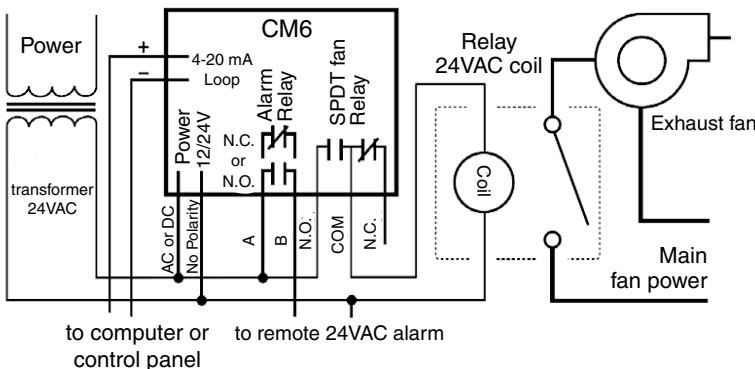
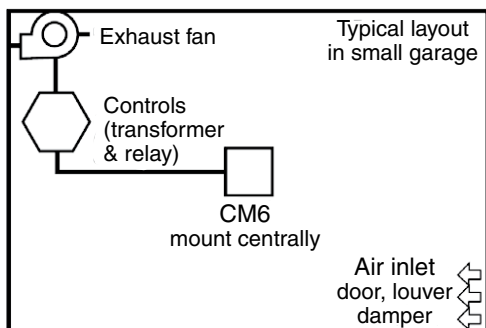


Terminal designations



*No polarity for VDC or VAC

APPLICATION



ORDERING INFORMATION

MODEL
CM6
GD6
TX-6-AM
TX-6-HS
TX-6-ND
RD-6
OX-6
CD-6

DESCRIPTION

Wall mounted CO single-point gas detector
Wall mount combustible single point gas detector
Wall mount NH3 single point gas detector
Wall mount H2S single point gas detector
Wall mount NO2 single point gas detector
Wall Mount R22,R134A,R404A, R410 4-20mA with 2 relays
Wall Mount Oxygen Sensor 4-20mA
Wall Mount CO2 Sensor 4-20mA

CM6-FCK
CME1-FTG
GAS-CO-200
GAS-CO-50

RELATED PRODUCTS

Calibration kit, 2 gas cylinders (50 and 200 ppm), does not include test hood
CO Test Gas 500PPM
200 ppm carbon monoxide (CO) in air, 17L
50 ppm carbon monoxide (CO) in air, 17L

691-K0A
DCP-1.5-W
DCPA-1.2
DVP-120/DVP-120M
WHK-1
DMK-1
PS-12

ACCESSORIES

Control transformer, 120:24 VAC, 40 VA, Class 2
Power supply, 24 VAC IN to 24 VDC OUT
Power supply, 120 VAC IN to 24 VAC/24 VDC OUT
Control Panel
Weather Proof Housing
Duct Mount Kit
Power Supply