

POWER MONITORING & PROTECTION

FIXED AND ADJUSTABLE SOLID AND SPLIT-CORE CURRENT SWITCHES

CS, SCS SERIES

DESCRIPTION

The Kele CS Series solid-core current switch monitors line current for electrical loads such as pumps, conveyors, lighting, heating or fan and closes the output contacts when the trip point is exceeded. The CS0.75A has a factory set trip point of 0.75 Amps to provide fixed threshold status operation. The CS200A-LED has trip setpoint that is adjustable between 1 to 200 Amps by rotating the adjustment potentiometer.

The Kele SCS Series split-core current switch monitors line current for electrical loads such as pumps, conveyors, lighting, heating or fan and closes the output contacts when the trip point is exceeded. The SCS2A has a factory set trip point of 2 Amps to provide fixed threshold status operation. The SCS200A-LED has a trip setpoint that is adjustable between 2 to 200 Amps by rotating the adjustment potentiometer.

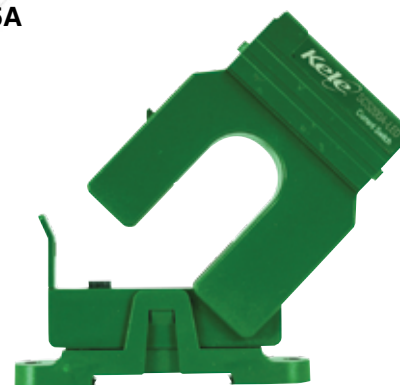
The sensors require no external power as they are totally powered by induction of the AC line being monitored. The switch output is normally open and when the input current exceeds the trip setpoint, the switch closes to provide an on/off digital signal to the controller.

FEATURES

- Solid or split-core
- Fixed threshold or field adjustable models
- Adjustable setpoint potentiometer (CS200A-LED, SCS200A-LED)
- Up to 200 Amps input current
- Self-powered
- Add-on command relay option



CS0.75A



SCS200A-LED



POWER MONITORING & PROTECTION

15

SPECIFICATIONS

Frequency	50-100 Hz	Termination	14 to 22 AWG
Output Type	Solid-state mosfet	Dimensions	
Output Switch Action	Normally open	CS0.75A & CS200A-LED	2.7" x 2.65" x 0.95"
Output Switch Ratings	30 VAC/VDC, 500 mA max.		(68.6 x 67 x 24.9 mm)
Current Set Point		SCS2A, SCS200A-LED	3.05" x 3" x 0.98"
CS200A-LED	1 to 200 Amps		(77.5 x 76 x 24.9 cm)
CS0.75A	Fixed at 0.75 Amps	Window Size	0.8" (20.3 mm)
SCS200A-LED	2 to 200 Amps	Enclosure Rating	ABS/PC, UL94 V-0
SCS2A	Fixed at 2 Amps	Approvals	UL File #E234823, CE, RoHs
Maximum Input Current	200 Amps continuous	Warranty	1 year
Indication	Power and status LED		
Response Time	200 ms typical		
Insulation Class	600 VAC, insulated conductors		
Operating Temperature			
CS200A-LED, SCS2A, SCS200A-LED	5° to 122°F (-15° to 50°C)		
CS0.75A	5° to 140°F (-15° to 60°C)		
Operating Humidity	5-90% RH, non-condensing		

POWER MONITORING & PROTECTION

FIXED AND ADJUSTABLE SOLID AND SPLIT-CORE CURRENT SWITCHES

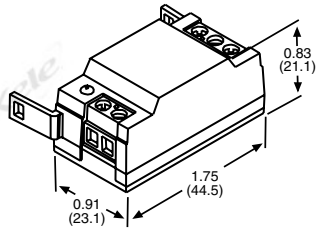
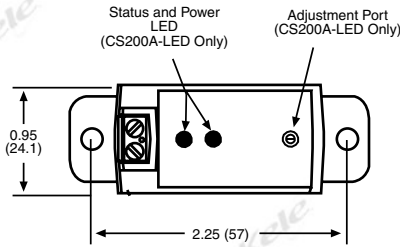
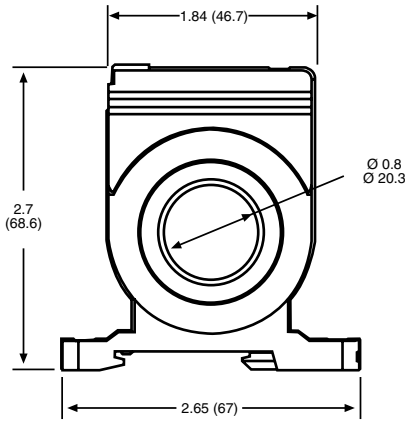
CS, SCS SERIES



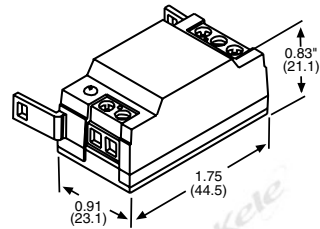
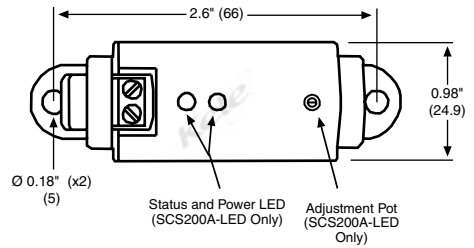
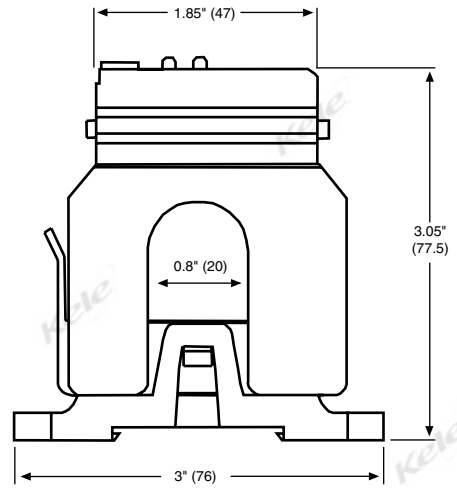
POWER MONITORING & PROTECTION 15

DIMENSIONS

in
(mm)



CS Series



SCS Series

ORDERING INFORMATION

MODEL	DESCRIPTION
CS200A-LED	Self-powered, adjustable solid core current switch, 1 to 200 Amps
CS0.75A	Self-powered, fixed threshold solid core current switch, 0.75 Amps
SCS200A-LED	Self-powered, adjustable split-core current switch, 2 to 200 Amps
SCS2A	Self-powered, fixed threshold split-core current switch, 2 Amps

	ACCESSORIES
CSR-12VDC	12VDC Command Relay, 25 mA max, SPDT Form C (30 mΩ max.)
CSR-24VAC/DC	24 VAC/VDC Command Relay, 13 mA max, SPDT Form C (30 mΩ max.)