



# PRESSURE

## DIFFERENTIAL PRESSURE TRANSMITTER DPW-692 SERIES

### DESCRIPTION

The **Kele DPW-692 Series Differential Pressure Transmitter** is ideal for monitoring pumps and piping differential pressures in HVAC systems and process systems including tank level monitoring. The **DPW-692 Series** incorporates proven, unique ceramic sensor technology and the stainless steel housing is compatible with a wide variety of liquid or gas media. The convenient DIN 43650-A wiring connector makes installation easy and provides NEMA 4 (IP65) environmental protection.

### FEATURES

- **Competitively priced**
- **Very high quality**
- **Short-circuit proof**
- **Protection from reverse polarity**
- **Compact heavy duty housing**
- **True differential pressure sensing**
- **1/2" NPT conduit connector**
- **NEMA 4 (IP65) environmental rating**
- **Mounting bracket included**



DPW-692-100-KIT



### SPECIFICATIONS

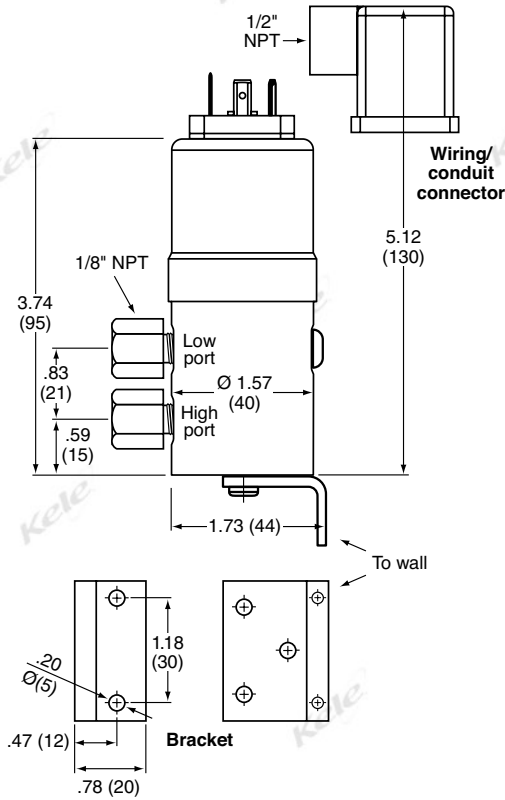
<b>Supply Voltage</b>	Current Output 11 to 33V DC @20mA	<b>Operating Temperature</b>	5° to 176°F (-15° to 80°C)
<b>Signal Output (Volts,Current)</b>	4-20mA loop	<b>Operating Humidity</b>	10 to 95% Non-condensing
<b>Max Current Output Impedance</b>	800Ω @24VDC	<b>Wetted Parts</b>	303 stainless steel w/FPM (Viton®) seals
<b>Accuracy</b>	±0.5% Full scale (Linearity, Hysteresis & Repeatability)	<b>Media Compatibility</b>	Liquid/Gasses compatible w/303 SS
<b>Sensor Type</b>	Ceramic pressure sensor	<b>Process Connection</b>	1/8" FNPT
<b>Normal Measurement Range</b>	0 to 200 psid (See ordering)	<b>Wiring Terminations</b>	DIN 43650-A connector w/ 2 terminals
<b>Max DP (Port to Port)</b>	0-60 psid = 174 psid 0-100 psid = 464 PSI high port / 174 PSI low port	<b>Mounting</b>	L-Bracket w/2 , 0.2" holes for #6 or #8 screws
<b>Overpressure (Burst)</b>	0-60 psid = 543 psid 0-100 psid = 1088	<b>Enclosure Rating</b>	NEMA 4, (IP66)
<b>Max Operating Pressure (Proof)</b>	0-60 psid = 362 psid 0-100 psid = 725 psid	<b>Dimensions</b>	1.73"W x 5.9"H x 2.53"D, (4.4 x 15 x 6.4 cm)
		<b>Weight</b>	0.94lb (0.43kg)
		<b>Approvals</b>	CE, RoHS
		<b>Warranty</b>	1 year

**Note:** The **DPW-692** can be field calibrated ±10%; see installation instructions for this procedure. However, due to the very small recessed calibration screws, field calibration is difficult and not recommended. Kele can provide factory custom calibration; please allow two weeks for delivery.

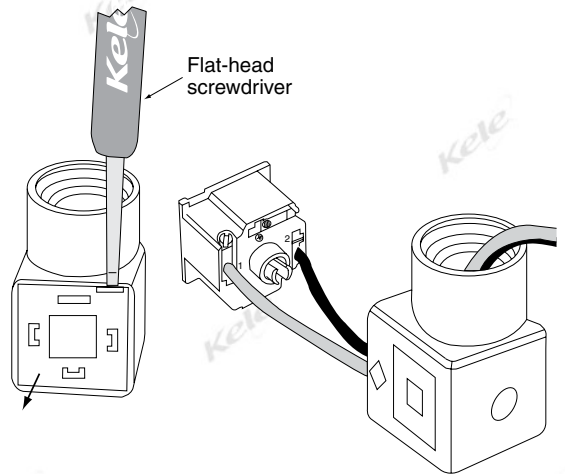
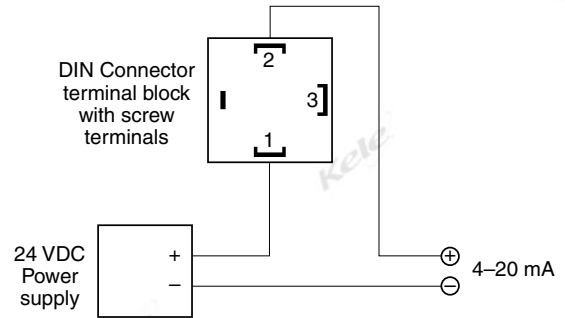
**CAUTION: Not for use with ammonia.**



### DIMENSIONS



### WIRING



### ORDERING INFORMATION

MODEL	DESCRIPTION
<b>DPW-692-25-KIT</b>	0–25 psid, 4–20 mA, 1/8" FNPT with bracket and conduit connector
<b>DPW-692-35-KIT</b>	0–35 psid, 4–20 mA, 1/8" FNPT with bracket and conduit connector
<b>DPW-692-60-KIT</b>	0–60 psid, 4–20 mA, 1/8" FNPT with bracket and conduit connector
<b>DPW-692-100-KIT</b>	0–100 psid, 4–20 mA, 1/8" FNPT with bracket and conduit connector
<b>DPW-692-200-KIT</b>	0–200 psid, 4–20 mA, 1/8" FNPT with bracket and conduit connector

To order a **DPW-692** pre-assembled in a five-valve bypass enclosure, replace -KIT with -BVA suffix  
 To order a **DPW-692** pre-assembled with a three-valve manifold, replace -KIT with -3VLV suffix  
 To order a **DPW-692** with factory custom range, add -C suffix to complete model number  
 To order a **DPW-692** for use with refrigerants, add -R suffix after -KIT. A neoprene seal is used in place of Viton®. Not applicable with -BVA or -3VLV assemblies  
 To order a **DPW-692** pre-assembled with a three-valve manifold in NEMA 1 Enclosure, replace -KIT with -3VLV1  
 To order a **DPW-692** pre-assembled with a three-valve manifold in NEMA 3R Enclosure, replace -KIT with -3VLV3

### RELATED PRODUCTS

<b>G5100-1101000</b>	DIN 43650-A replacement conduit connector with gasket
<b>DCPA-1.2</b>	Power supply, 120 VAC In to 24 VAC/24 VDC Out
<b>DCP-1.5-W</b>	Power supply, 24 VAC IN to 24 VDC OUT
<b>101999</b>	DPW-692 Series replacement mounting bracket with screws