



HUMIDITY

3% WALL, DUCT AND OSA HUMIDITY TRANSMITTERS H_30K SERIES

DESCRIPTION

The Kele Series H_30K humidity transmitters have been specifically designed for use with HVAC/BAS applications. These instruments measure relative humidity from 5 to 90% with 3% accuracy and produce a two wire, 4-20mA linear output. All can come equipped with an optional passive RTD or thermistor. The duct and OSA versions may also be fitted with a 4-20mA temperature transmitter.



OPERATION

The temperature compensated circuitry converts the relative humidity into a 4-20 mA signal. The optional temperature sensors, RTDs or thermistors, offer direct connection to most automation systems. On duct and OSA units, an optional 4-20 mA temperature transmitter may also be employed and is rangeable from -30

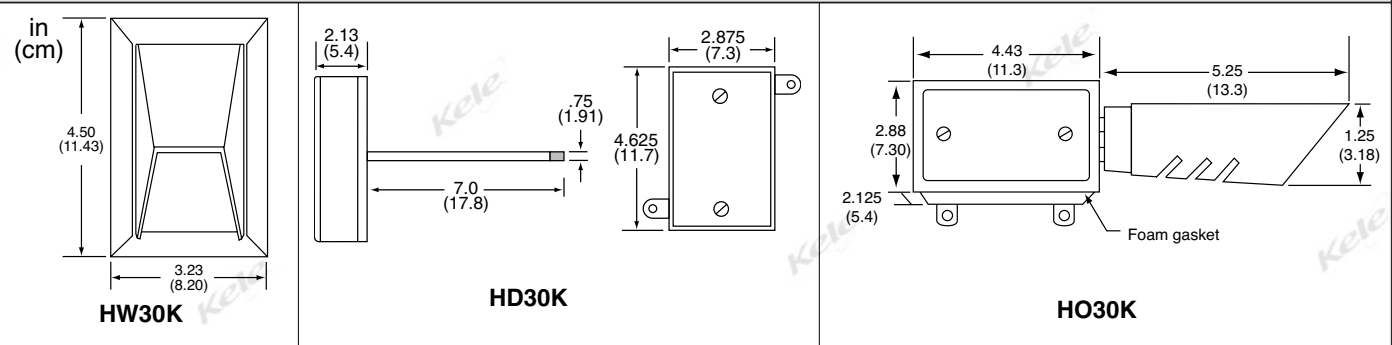
FEATURES

- 3% accuracy (5% to 90%)
- Two wire, 4-20mA RH output
- Optional temperature thermistor
- Optional temperature RTD
- Optional temperature 4-20mA (Duct or OSA)

9

HUMIDITY

DIMENSIONS

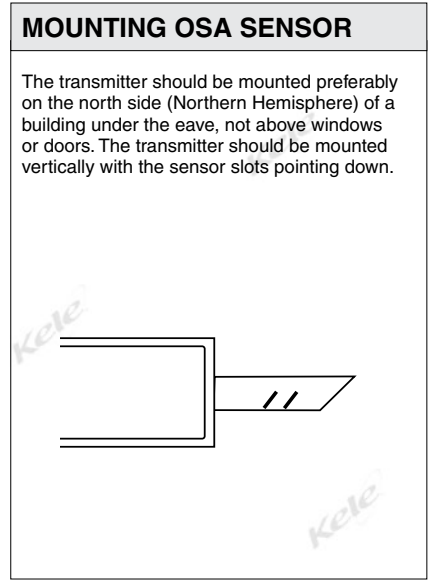
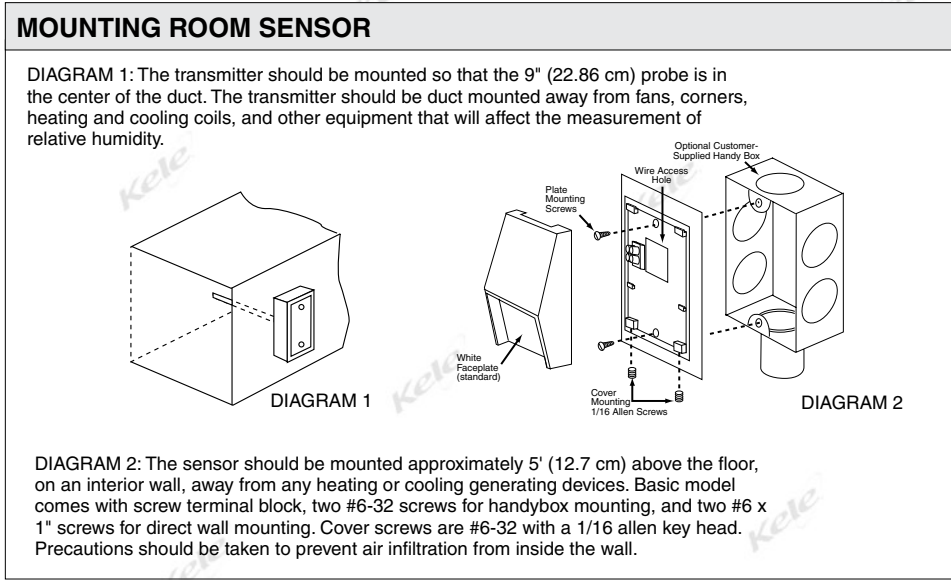
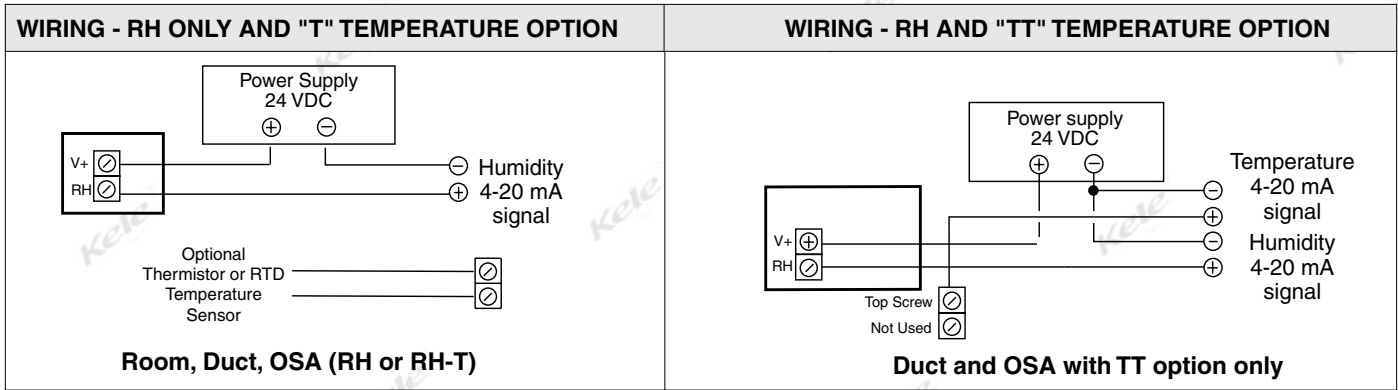


SPECIFICATIONS

Accuracy	3% RH @ 73°F (23°C) from 5% to 90%; (0-5% & 90%-100%) add 4%	Room Duct/OSA	NEMA 1, Beige plastic
Stability	typically <0.5% drift per year	Wiring Terminations	Terminal block (22 to 16 AWG)
Thermal Effect	0.07% per °F	Weight	
Supply Voltage	9.5-28 VDC, loop powered	Wall	0.3 lb (0.09 Kg)
Signal Output	4-20 mA @ 725Ω, optional thermistor, RTD	Duct	1.14 lb (0.52 Kg)
Measurement Range		OSA	1.2 lb (0.54 Kg)
RH	0-100%	Approvals	RoHs
Temperature	-20° to 140°F (-29° to 60°C) (see ordering information)	Warranty	1 year
Sensor Protection	HDPE FGX filter (duct and OSA)		
Operating Temperature	-20° to 158°F (-29° to 70°C)		
Operating Humidity	0-100% RH non-condensing		
Enclosure Rating			



3% WALL, DUCT AND OSA HUMIDITY TRANSMITTERS H_30K SERIES



ORDERING INFORMATION

MODEL	DESCRIPTION
HW30K	3% beige room humidity transmitter, 4-20 mA output
HD30K	3% duct-mount humidity transmitter, 4-20 mA output
HO30K	3% OSA-mount humidity transmitter, 4-20 mA output
OPTIONS (Temperature Sensors or Transmitters)	
--	No temperature sensor
T3	10,000Ω thermistor @ 77°F (25°C), Type III
T11K	10,000Ω thermistor @ 77°F (25°C), Type III, with 11K shunt
T21	2252Ω thermistor @ 77°F (25°C), Type II
T22	3000Ω thermistor @ 77°F (25°C), Type II
T24	10,000Ω thermistor @ 77°F (25°C), Type II
T27	100,000Ω thermistor @ 77°F (25°C), Type II
T42	20,000Ω thermistor @ 77°F (25°C), Type IV
T63	1000Ω nickel SS flush mounted plate RTD @ 70°F (26°C), Type III (yellow leads)
T81	100Ω RTD @ 32°F (0°C), 385 platinum curve
T85	1000Ω 385 platinum RTD
T91	1000Ω 375 platinum RTD
TT-2	-20° to 140°F (-29° to 60°C) transmitter, 4-20 mA (duct and OSA only)
TT-3	0° to 100°F (-18° to 38°C) transmitter, 4-20 mA (duct and OSA only)
XN1	NIST 1 point, 30% (Humidity only)
XN2	NIST 2 point, 30% and 50% (Humidity only)
XN3	NIST 3 point, 30%, 50% and 70% (Humidity only)

Example: HD30K-T3 Duct-mount humidity sensor with 10 kΩ Type III temperature sensor

RELATED PRODUCTS

DCPA-1.2 Power supply, 120 VAC IN to 24 VAC/24 VDC OUT
DGP-1.5-W Power supply, 24 VAC IN to 24 VDC OUT