

# ALARMS & INDICATION



## KELE 3-1/2 DIGIT LARGE BLACK/RED/GREEN/AMBER PANEL DISPLAY LPI-4



2 ALARMS & INDICATION

### DESCRIPTION

The **Kele LPI-4 Series loop-powered indicator** features a large 1" (2.54 cm) 3-1/2 digit display. It is designed to display any 4-20 mA signal in desired scale. The **Model LPI-4** is powered directly from the 4-20mA signal loop, so there is no need for a power supply for the black digit model. It is also available in a 24 VDC powered version with red, green, or amber digits.

### FEATURES

- Indication of 4-20 mA signal in desired scale
- 3-1/2 digit LCD display
- Large, easy-to-read digits
- Available in either black, red, green, or amber digits
- Precalibrated for desired range
- Snap-in panel mount with retainer
- Negative range indicator
- Includes weather-resistant seal
- Optional jumper-selectable display units °F, °C, %, PSI

### APPLICATION

- Temperature
- Humidity
- Pressure
- Killowatt demand
- Gallons per minute
- Voltage/current

LPI-4



LPI-4G



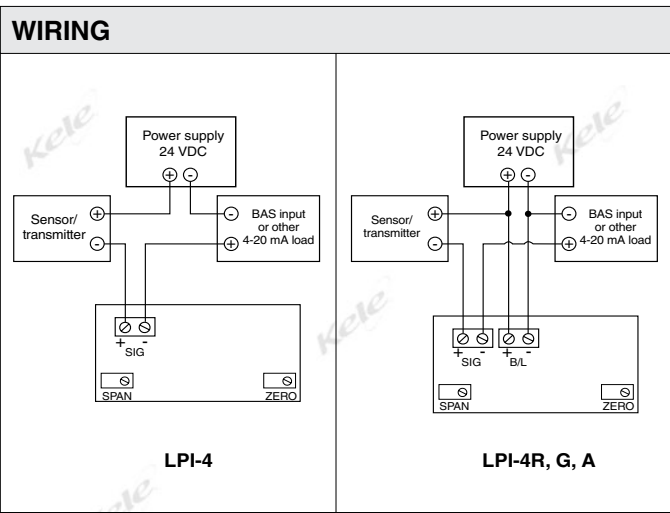
LPI-4R



LPI-4A



SPECIFICATIONS	
Supply Voltage	Black loop powered Red/Green/Amber 24 VDC @ 35 mA
Accuracy	± 0.05% of scale plus one digit
Input Signal	4-20 mA
Input Impedance	300Ω
Range	-1999 to 1999
Cutout Requirement	1.77" x 3.62" (4.5 X 9.2 cm)
Digit Count	3-1/2 digits
Digit Size	1" (2.54 cm)
Decimal Point	Three positions or none (1.0.0.0)
Operating Temperature	32° to 122°F (0° to 50°C)
Operating Humidity	95% non-condensing
Dimensions	1.89"H x 3.78"W x 1.8"D (4.8 x 9.6 x 4.6 cm)
Weight	0.25 lb (0.11 Kg)
Approvals	RoHS
Warranty	1 year



### ORDERING INFORMATION

MODEL	DESCRIPTION
LPI-4	3-1/2 digit black panel display
LPI-4R	3-1/2 digit red panel display
LPI-4G	3-1/2 digit green panel display
LPI-4A	3-1/2 digit amber panel display

Displays are custom calibrated at no charge and require specification of input scale (mA), range, engineering units, and decimal point placement.

RELATED PRODUCTS	
DCP-1.5-W	Power supply, 24 VAC IN to 24 VDC OUT
DCPA-1.2	Power supply, 120 VAC IN to 24 VAC/24 VDC OUT
GP-5132	LPI-4 mounting goof plate, 5.13" x 3.25" (13.0 x 8.3 cm)