



ALARMS & INDICATION

3-1/2 DIGIT LCD PANEL DISPLAY LPI-1C

DESCRIPTION

The Kele LPI-1C Series LCD Panel Display is a loop-powered indicator featuring a large 3-1/2 digit LCD display with black digits. The Model LPI-1C displays engineering units of °F, °C, PSI, %, or no engineering units if desired. It is directly powered by the 4-20 mA signal and scaled to specifications.

FEATURES

- Indication of 4-20 mA signal in desired scale
- 3-1/2 digit LCD display
- Snap-in panel mounting
- Easy-to-read digits
- NEMA 4X enclosure available
- Precalibrated for desired range
- Negative-to-positive indication
- Jumper-selectable engineering unit display

APPLICATION

- Temperature
- Humidity
- Pressure
- Differential or static pressure
- Kilowatt demand

SPECIFICATIONS

Accuracy	0.1% of scale
Input Signal	4 - 20 mA loop-powered
Input Impedance	300Ω nominal @ 24 VDC
Range	-1999 to 1999, D.A. only
Digit Size	0.5" (1.27 cm)
Decimal Point	Three positions or none (1.0.0.0)
Display Color	Black
Panel Clearance	1.97" (5.00 cm)
Cutout Requirement	1.00" H x 2.40" W (2.54 x 6.10 cm)
Operating Temperature	32° to 122°F (0° to 50°C)
Operating Humidity	95% non-condensing
Dimensions	
Display	1.11" H x 2.51" W (2.82 x 6.38 cm)
E (NEMA 4X)	6.0"H x 6.0"W x 3.0"D (15.2 x 15.2 x 7.62 cm)
WMB	2.12"H x 3.12"W x 1.75"D (5.4 x 7.94 x 4.45 cm)
Weight	0.14 lb (0.06 Kg) (display only)
Approvals	RoHS
Warranty	1 year



LPI-1C-WMB



LPI-1C (typical panel mount)



LPI-1C-E

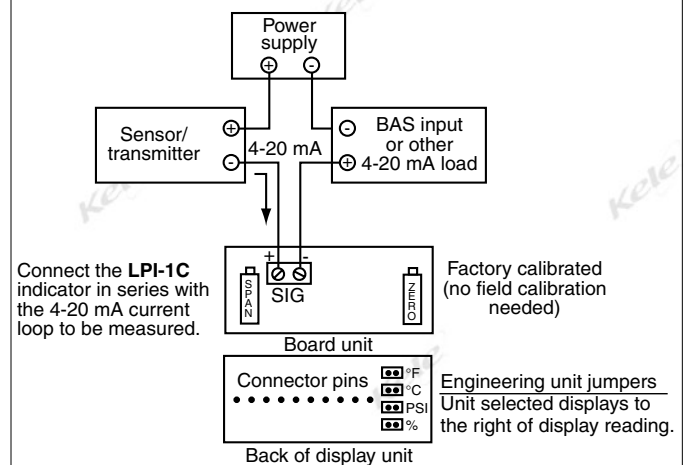


LPI-1C-E-DBL



- Gallons per minute
- Voltage
- Current
- Many other 4-20 mA applications

WIRING



ORDERING INFORMATION

Displays are custom calibrated at no charge and require specification of input scale (mA), range, engineering units, and decimal point placement.

MODEL	DESCRIPTION
LPI-1C	3-1/2 digit LCD panel display with black digits*
-	No enclosure
E	3-1/2 digit LCD panel display with NEMA 4X enclosure
WMB	3-1/2 digit LCD panel display with small enclosure
E-DBL	Two 3-1/2 digit LCD panel displays in one NEMA 4X enclosure

LPI-1C - E-DBL Example: LPI-1C-E-DBL Two LPI-1C displays mounted in a single enclosure

RELATED PRODUCTS

DPC-1.5-W	Power supply, 24 VAC IN to 24 VDC OUT
DPCA-1.2	Power supply, 120 VAC In to 24 VAC/24 VDC Out
GP-3420	LPI-1C, LPI-3C, VPI-1C mounting goof plate, 3.40" x 2.00" (8.6 x 5.1 cm)
GP-3430	LPI-1C, LPI-3C, VPI-1C mounting goof plate, 3.40" x 3.00" (8.6 x 7.6 cm)