

NO EXCUSES!



NYC BUILDINGS

MR6

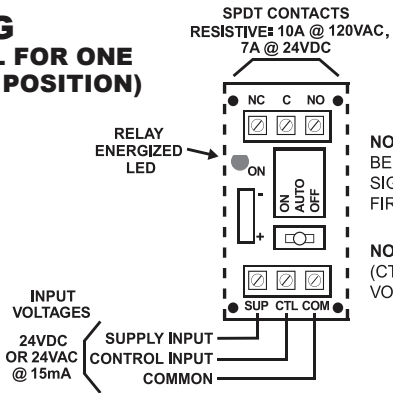
MR-600 Series Relays

The MR-600 Series Relays are ideal for applications where local manual controlled contacts are required for switching of electrical loads. They are suitable for use with HVAC, temperature control, fire alarm, security, energy management, and lighting control systems.

MR-600 Series Relays offer SPDT 10 Amp contacts @ 120VAC and 7 Amp @ 24VDC with manual override capabilities by means of an integral "ON-AUTO-OFF" switch. The switch requires a 24VAC or 24VDC constant power source supplied by the controlling system. When the switch is in the "ON" position the relay is energized. With the switch in the "AUTO" position the relay is allowed to operate as signaled by the controlling system with a separate control input of the same 24VAC or 24VDC. With the switch in the "OFF" position the relay will not be energized.

Each relay position contains a high intensity red LED which, when illuminated, indicates the relay coil is energized. This provides a time saving convenience when checking an installed system - no metering is required. Relays may be "snapped apart" from standard 2, 4 or 8 position modules and are also available in the single circuit configuration. Relays are supplied with either mounting spacers, track mounting hardware or mounted in enclosures. The common (black) and supply (white) power to each relay position is bussed on the printed wiring board via color coded jumpers which permits power to be connected only once per multi-position module. These jumpers also allow position isolation or separation of cut.

WIRING (TYPICAL FOR ONE MODULE POSITION)



NOTE: INPUT POWER SUPPLY SHOULD BE UL LISTED FOR FIRE PROTECTION SIGNALING SYSTEMS WHEN USED IN FIRE ALARM APPLICATIONS

NOTE: SUPPLY (SUP) AND CONTROL (CTL) INPUT MUST BE OF THE SAME VOLTAGE TYPE AND POLARITY

Standard Features:

- Relays may be energized from a voltage source of 24VDC or 24VAC
- Each relay position contains a red LED which illuminates when the coil is energized
- Single, dual or triple relay modules may be "snapped apart" from standard 2, 4 and 8 position masters
- Integral "ON-AUTO-OFF" switch for local manual control
- For continuous duty use
- Available in dust resistant enclosures with LED viewing port(s)
- /C versions mounted in enclosures
- /C/R versions with red covers for NYC and other uses
- /T versions come complete with track mounting hardware which facilitates installation in standard cabinets
- /S versions supplied with spacers for installation on standard back panels
- Uses UL Recognized Components



RU - Uses UL Recognized Components

ISO 9001 REGISTERED COMPANY



Space Age Electronics, inc.
www.1SAE.com
800.486.1723 Toll Free
508.485.0966 Local
508.485.4740 Fax

PRODUCT SPECIFICATIONS

MODEL NUMBERS:	MODULE POSITIONS	CONTACT CONFIGURATION PER POSITION	SPACER MOUNTED H x W x D 3.25" (83mm) 1.06" (27mm) 1.25" (32mm)	TRACK MOUNTED H x W x D 3.50" (89mm) 2.00" (51mm) 1.375" (35mm)	ENCLOSURE MOUNTED H X W X D	COVER MATERIAL	UL* FILE S3403	MEA FILE 73-92-E	CSFM FILE 7300-1004
SSU-MR-601/S	1	SPDT					UOXX2		
SSU-MR-601/T	1	SPDT							
SSU-MR-601/C	1	SPDT			5.125" (131mm) 3.125" (80mm) 2.50" (64mm)	Grey ABS 94V-O Plastic Red ABS 94V-O Plastic	UOXX UOXX2	Vol. 29	:110
SSU-MR-601/C/R	1	SPDT							
SSU-MR-602/S	2	SPDT	3.25" (83mm) 2.125" (54mm) 1.25" (32mm)				UOXX2		
SSU-MR-602/T	2	SPDT		3.50" (89mm) 2.125" (54mm) 1.375" (35mm)					
SSU-MR-602/C	2	SPDT			5.125" (131mm) 3.125" (80mm) 2.50" (64mm)	Grey ABS 94V-O Plastic Red ABS 94V-O Plastic	UOXX UOXX2	Vol. 29	:110
SSU-MR-602/C/R	2	SPDT							
SSU-MR-604/S	4	SPDT	3.25" (83mm) 4.25" (108mm) 1.25" (32mm)				UOXX2		
SSU-MR-604/T	4	SPDT		3.50" (89mm) 4.25" (108mm) 1.375" (35mm)					
SSU-MR-604/C	4	SPDT			5.125" (131mm) 9.50" (242mm) 2.50" (64mm)	Plated 18ga CRS Red 18ga CRS	UOXX UOXX2	Vol. 29	:110
SSU-MR-604/C/R	4	SPDT							
SSU-MR-608/S	8	SPDT	3.25" (83mm) 8.50" (215mm) 1.25" (32mm)				UOXX2		
SSU-MR-608/T	8	SPDT		3.50" (89mm) 8.50" (215mm) 1.375" (35mm)					
SSU-MR-608/C	8	SPDT			5.125" (131mm) 9.50" (242mm) 2.50" (64mm)	Plated 18ga CRS Red 18ga CRS	UOXX UOXX2	Vol. 29	:110
SSU-MR-608/C/R	8	SPDT							

POWER REQUIREMENTS: Per Position: 24VAC or 24VDC @ 15mA

POLARIZED COIL INPUT(S): No

ENERGIZED LED INDICATOR: One red LED per module position

CONTACT RATINGS: Resistive load: 10A @ 120VAC; 7A @ 24VDC

CONTACT CONSTRUCTION: One dry form "C" SPDT per module position

AMBIENT TEMPERATURE: 32°F to 120°F (0°C to 49°C) @ 85% RH (@ 32°F), Non-Condensing, Non-Freezing

WIRING: Solid or stranded; #12 to #22 AWG terminals

/T VERSIONS: 3.5" wide, low profile plastic snap track provided with mounting screws

/S VERSIONS: Aluminum Spacers provided with #8 X 7/8" self tapping sheet metal screws

/C VERSIONS: Back Box: 18ga CRS, plated with 1/2" conduit knockouts top and bottom

*UOXX (UL864)=Control Unit Accessories, System; 2=Component



Space Age Electronics, inc.
www.ISAE.com
800.486.1723 Toll Free
508.485.0966 Local
508.485.4740 Fax

No Excuses, Just Solutions!

This document is subject to change without notice, see doc # ED0479 for legal disclaimer