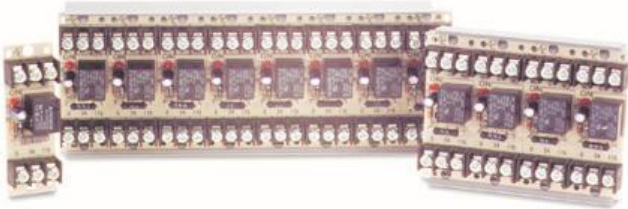


NO EXCUSES!



MR8



MR-800 Series Relays

The MR-800 Series Relays provide SPDT 10 Amp contacts which may be operated by one of three input control voltages; 24VDC, 24VAC or 120VAC.

Each relay position contains a red LED which indicates the relay coil is energized. This provides a time saving device when checking an installed system - no metering is required. Relays may be "snapped apart" from standard 2, 4 or 8 position modules, and are also available in the single circuit configuration. Relays are supplied with either mounting spacers, track mounting hardware or are mounted in enclosures.

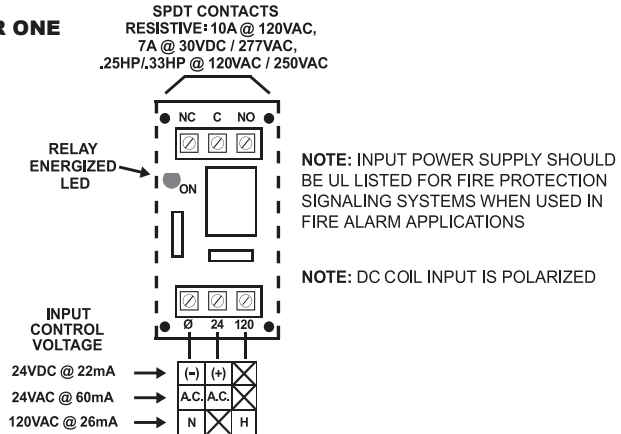
Standard Features:

- Relays may be energized from a voltage source of 24VDC, 24VAC or 120VAC
- Each relay position contains a red LED, which illuminates when the coil is energized
- Single, dual or triple relay modules may be "snapped apart" from standard 2,4 or 8 position masters
- DC input is polarized
- For continuous duty use
- Available in dust resistant enclosure with LED viewing port(s)
- /C versions mounted in enclosures
- /C/R versions with red covers for NYC and other uses
- /T versions come complete with track mounting hardware which facilitates installation in standard cabinets
- /S versions supplied with spacers for installation on standard back panels
- Uses UL recognized components

These devices are ideal for applications where local contacts are required for control of electrical loads or general purpose switching. They are suitable for use with HVAC, temperature control, fire alarm, security, energy management and lighting control systems.

These devices are ideal for applications where control of 20 Amp electrical loads is required. They are suitable for use in HVAC, temperature control, fire alarm, security, energy management and lighting control systems.

WIRING (TYPICAL FOR ONE)



RU - Uses UL Recognized Components

ISO 9001 REGISTERED COMPANY



Space Age Electronics, inc.
www.1SAE.com
800.486.1723 Toll Free
508.485.0966 Local
508.485.4740 Fax

PRODUCT SPECIFICATIONS

MODEL NUMBERS:	MODULE POSITIONS	CONTACT CONFIGURATION PER POSITION	SPACER MOUNTED H x W x D	TRACK MOUNTED H x W x D	ENCLOSURE MOUNTED H x W x D	COVER MATERIAL	UL* FILE S3403	MEA FILE 73-92-E	CSFM FILE 7300-1004
SSU-MR-801/S	1	SPDT	3.25" (83mm) 1.06" (27mm) 1.25" (32mm)				UOXX2		
SSU-MR-801/T	1	SPDT		3.50" (89mm) 2.00" (51mm) 1.375" (35mm)					
SSU-MR-801/C	1	SPDT			5.125" (131mm) 3.125" (80mm)	Grey ABS 94V-O Plastic	UOXX		:110
SSU-MR-801/C/R	1	SPDT			2.50" (64mm)	Red ABS 94V-O Plastic	UOXX2	Vol. 29	
SSU-MR-802/S	2	SPDT	3.25" (83mm) 2.125" (54mm) 1.25" (32mm)				UOXX2		
SSU-MR-802/T	2	SPDT		3.50" (89mm) 2.125" (54mm) 1.375" (35mm)					
SSU-MR-802/C	2	SPDT			5.125" (131mm) 3.125" (80mm)	Grey ABS 94V-O Plastic	UOXX		:110
SSU-MR-802/C/R	2	SPDT			2.50" (64mm)	Red ABS 94V-O Plastic	UOXX2	Vol. 29	
SSU-MR-804/S	4	SPDT	3.25" (83mm) 4.25" (108mm) 1.25" (32mm)				UOXX2		
SSU-MR-804/T	4	SPDT		3.50" (89mm) 4.25" (108mm) 1.375" (35mm)					
SSU-MR-804/C	4	SPDT			5.125" (131mm) 9.50" (242mm)	Plated 18ga CRS	UOXX		:110
SSU-MR-804/C/R	4	SPDT			2.50" (64mm)	Red 18ga CRS	UOXX2	Vol. 29	
SSU-MR-808/S	8	SPDT	3.25" (83mm) 8.50" (215mm) 1.25" (32mm)				UOXX2		
SSU-MR-808/T	8	SPDT		3.50" (89mm) 8.50" (215mm) 1.375" (35mm)					
SSU-MR-808/C	8	SPDT			5.125" (131mm) 9.50" (242mm)	Plated 18ga CRS	UOXX		:110
SSU-MR-808/C/R	8	SPDT			2.50" (64mm)	Red 18ga CRS	UOXX2	Vol. 29	

POWER REQUIREMENTS: Per Position: 24VDC @ 22mA, 24VAC @ 60mA, or 120VAC @ 26mA

POLARIZED COIL INPUT(S): DC inputs only

ENERGIZED LED INDICATOR: One red LED per module position

CONTACT RATINGS: Resistive load: 10A @ 120VAC; 7A @ 30VDC / 277VAC Inductive Load: .25HP / .33HP @ 120VAC / 250VAC

CONTACT CONSTRUCTION: One dry form "C" SPDT per module position

AMBIENT TEMPERATURE: 32°F to 120°F (0°C to 49°C) @ 85% RH (@ 32°F), Non-Condensing, Non-Freezing

WIRING: Solid or stranded; #12 to #22 AWG terminals

/T VERSIONS: 3.5" wide, low profile plastic snap track provided with mounting screws

/S VERSIONS: Aluminum Spacers provided with #8 X 7/8" self tapping sheet metal screws

/C VERSIONS: Back Box: 18ga CRS, plated with 1/2" conduit knockouts top and bottom

UOXX (UL864)=Control Unit Accessories, System; 2=Component



Space Age Electronics, inc.
www.ISAE.com
800.486.1723 Toll Free
508.485.0966 Local
508.485.4740 Fax

No Excuses, Just Solutions!

This document is subject to change without notice, see doc # ED0479 for legal disclaimer

ED0287

LT10287

Rev.B

2/2