

## 1. ASV-NV11 Series Needle Valve (Straight Body)

### ● Features:

- \* Single valve with straight body, excellent flow regulation and sealed performance
- \* Completed structure body (no welding) provides strength, safety and corrosion resistance
- \* "Slow opening" prevents sudden pressure increasing and instrument damage
- \* Working pressure: 6000 psi @ 77°F/ 25°C, 10000 psi @ 1198°F/ 648°C
- \* Temperature rating: 450°F/ 232°C with PTFE packing  
1198°F/ 648°C with Graphite packing
- \* Standard: ASME B1.20.1 compliant
- \* Warranty: 1 year



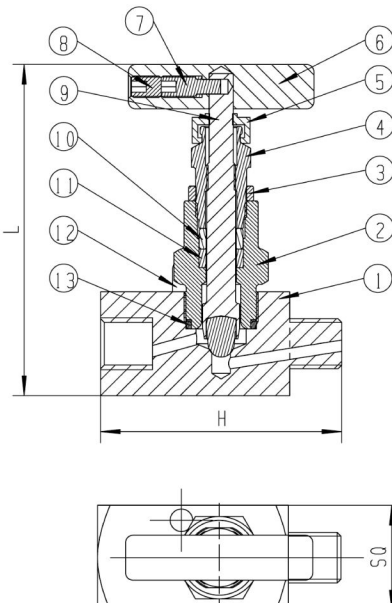
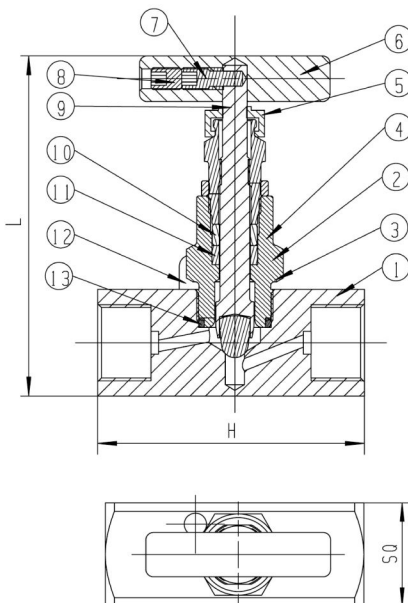
### ● Applications:

- \* Reliable throttle and block valves for gas or liquid service in oil industry and gas equipment include refineries not only processing plants, but also water treatment plants, power plants and hydraulic applications

Component No.	Component Name	Material
1	Body	SS 304 / SS316 / SS316L
2	Bonnet	SS 304 / SS316
3	Adapter Locknut	SS 304
4	Adapter	SS 316
5	Dustcap	Nylon
6	Handle	SS 304
7	Screw	SS 304
8	Fastening Screw	SS 304
9	Needle / Needle Tip	SS 304 / SS316 / SS316L
10	Gland Washer	SS 304
11	Gland Packing	PTFE/Graphite
12	Dwell Pin	SS 304
13	Gland Packing	PTFE/Graphite

### Female x Female

### Male x Female



### ● Dimensions:

Size	H	L	SQ
1/4" Female x 1/4" Female	2.56" (65mm)	3.50" (89mm)	1.10" (28mm)
1/4" Male x 1/4" Female	2.56" (65mm)	3.50" (89mm)	1.10" (28mm)
3/8" Female x 3/8" Female	2.56" (65mm)	3.50" (89mm)	1.10" (28mm)
3/8" Male x 3/8" Female	2.56" (65mm)	3.50" (89mm)	1.10" (28mm)
1/2" Female x 1/2" Female	2.76" (70mm)	3.50" (89mm)	1.10" (28mm)
1/2" Male x 1/2" Female	2.76" (70mm)	3.50" (89mm)	1.10" (28mm)
3/4" Female x 1/2" Female	2.83" (72mm)	3.66" (93mm)	1.26" (32mm)
3/4" Male x 1/2" Female	2.83" (72mm)	3.50" (89mm)	1.10" (28mm)
3/4" Female x 3/4" Female	2.83" (72mm)	3.66" (93mm)	1.26" (32mm)
3/4" Male x 3/4" Female	2.83" (72mm)	3.66" (93mm)	1.26" (32mm)
1" Female x 1" Female	3.23" (82mm)	3.98" (101mm)	1.58" (40mm)
1" Male x 1" Female	3.23" (82mm)	3.98" (101mm)	1.58" (40mm)

## ASV-NV11 Series Needle Valve (Straight Body) Product Code

NPT Connection	Material	Max. Pressure	Code
1/4" Female	SS 304	6000 psi	NV11111
x 1/4" Female	SS 304	10,000 psi	NV11121
1/4" Male	SS 304	6000 psi	NV11112
x 1/4" Female	SS 304	10,000 psi	NV11122
3/8" Female	SS 304	6000 psi	NV11113
x 3/8" Female	SS 304	10,000 psi	NV11123
3/8" Male	SS 304	6000 psi	NV11114
x 3/8" Female	SS 304	10,000 psi	NV11124
1/2" Female	SS 304	6000 psi	NV11115
x 1/2" Female	SS 304	10,000 psi	NV11125
1/2" Male	SS 304	6000 psi	NV11116
x 1/2" Female	SS 304	10,000 psi	NV11126
3/4" Female	SS 304	6000 psi	NV11117
x 1/2" Female	SS 304	10,000 psi	NV11127
3/4" Male	SS 304	6000 psi	NV11118
x 1/2" Female	SS 304	10,000 psi	NV11128
3/4" Female	SS 304	6000 psi	NV11119
x 3/4" Female	SS 304	10,000 psi	NV11129
3/4" Male	SS 304	6000 psi	NV111110
x 3/4" Female	SS 304	10,000 psi	NV111210
1" Female	SS 304	6000 psi	NV111111
x 1" Female	SS 304	10,000 psi	NV111211
1" Male	SS 304	6000 psi	NV111112
x 1" Female	SS 304	10,000 psi	NV111212

NPT Connection	Material	Max. Pressure	Code
1/4" Female	SS 316/ SS 316L	6000 psi	NV11211
x 1/4" Female	SS 316/ SS 316L	10,000 psi	NV11221
1/4" Male	SS 316/ SS 316L	6000 psi	NV11212
x 1/4" Female	SS 316/ SS 316L	10,000 psi	NV11222
3/8" Female	SS 316/ SS 316L	6000 psi	NV11213
x 3/8" Female	SS 316/ SS 316L	10,000 psi	NV11223
3/8" Male	SS 316/ SS 316L	6000 psi	NV11214
x 3/8" Female	SS 316/ SS 316L	10,000 psi	NV11224
1/2" Female	SS 316/ SS 316L	6000 psi	NV11215
x 1/2" Female	SS 316/ SS 316L	10,000 psi	NV11225
1/2" Male	SS 316/ SS 316L	6000 psi	NV11216
x 1/2" Female	SS 316/ SS 316L	10,000 psi	NV11226
3/4" Female	SS 316/ SS 316L	6000 psi	NV11217
x 1/2" Female	SS 316/ SS 316L	10,000 psi	NV11227
3/4" Male	SS 316/ SS 316L	6000 psi	NV11218
x 1/2" Female	SS 316/ SS 316L	10,000 psi	NV11228
3/4" Female	SS 316/ SS 316L	6000 psi	NV11219
x 3/4" Female	SS 316/ SS 316L	10,000 psi	NV11229
3/4" Male	SS 316/ SS 316L	6000 psi	NV112110
x 3/4" Female	SS 316/ SS 316L	10,000 psi	NV112210
1" Female	SS 316/ SS 316L	6000 psi	NV112111
x 1" Female	SS 316/ SS 316L	10,000 psi	NV112211
1" Male	SS 316/ SS 316L	6000 psi	NV112112
x 1" Female	SS 316/ SS 316L	10,000 psi	NV112212