



# PRESSURE

## STAINLESS STEEL PRESSURE TRANSMITTER PSS2 SERIES

### DESCRIPTION

The Kele PSS2 Series Stainless Steel Pressure Transmitter is highly accurate and compact, which makes it ideal for HVAC, building automation, and process gauge pressure applications. A splash-proof Packard-type electrical connector is provided for ease of installation. Eleven standard ranges are available for a wide variety of applications.

### FEATURES

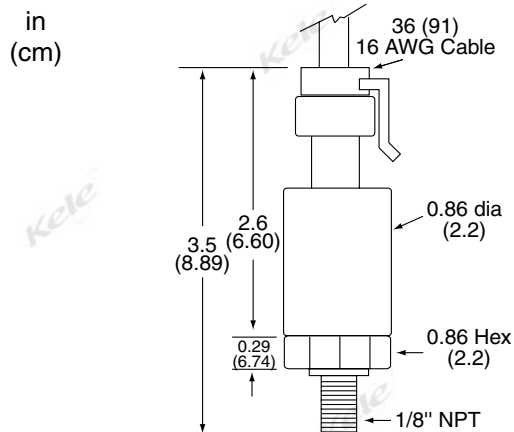
- *Splash-proof, plug-in electrical connector*
- *For steam, water, glycol, refrigerant, and more*
- *4-20 mA output*
- *304L/316L stainless steel wetted parts*
- *Wide range of pressures*
- *High overpressure capability*



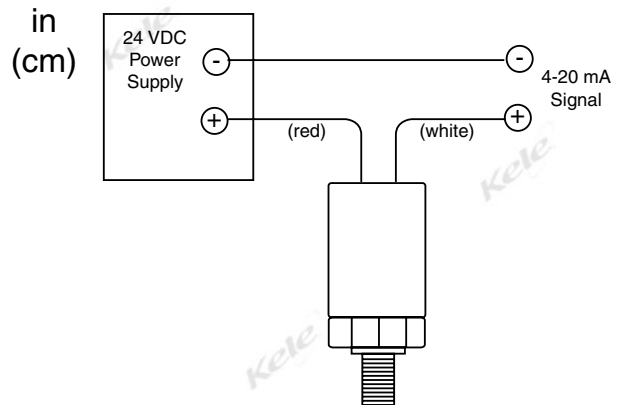
### SPECIFICATIONS

<b>Supply Voltage</b>	8 to 30VDC @20mA max	<b>Operating Temperature</b>	-40° to 221°F (-40° to 105°C)
<b>Signal Output (Volts,Current)</b>	4-20mA loop	<b>Operating Humidity</b>	10 to 90% Non-condensing
<b>Max Current Output Impedance</b>	800Ω @24VDC	<b>Wetted Parts</b>	Brass, 304SS and 316SS
<b>Accuracy</b>	±0.5% of span ± 1% of span for =50 psig	<b>Media Compatibility</b>	Liquid or Gas compatible w/Brass, 304SS and 316SS
<b>Sensor Type</b>	ASIC piezo-resistive and temp. compensated	<b>Process Connection</b>	Direct-1/8" MNPT, Encl. bulkhead- 1/8" FNPT
<b>Adjustments (Z/S)</b>	None required	<b>Wiring Terminations</b>	2-16 AWG pigtail in 36" (91cm) cable
<b>Normal Measurement Range</b>	0-15 to 0-1000 PSIG (See ordering)	<b>Mounting</b>	By process connection or opt. enclosure
<b>Display</b>	2" Dial gauge or 0.5" Digital w/3.5 digits	<b>Enclosure Rating</b>	Opt. PS1313-7 plastic enclosure, NEMA 4, (IP66)
<b>Overpressure (Burst)</b>	3x rated pressure (See ordering)	<b>Dimensions</b>	5.11"H x 5.11"W x 2.95"D, (13.0 x 13.0 x 7.5 cm)
<b>Max Operating Pressure (Proof)</b>	5x rated pressure (See ordering)	<b>Weight</b>	0.3lb (0.13kg)
		<b>Approvals</b>	RoHS
		<b>Warranty</b>	1 year

### DIMENSIONS



### WIRING





### INSTALLATION

Mount the **PSS2 Series** in a manner that protects it from steam or temperatures outside of its operating range. A Model PT steam pigtail syphon must be installed in all applications where steam is to be monitored. When monitoring the pressure of a medium that is above or below the temperature operating range of the transmitter, the sensor should be isolated by a length of tubing. If 6" to 12" (15.2 to 30.5 cm) of brass tubing is used, temperatures up to 400°F (204°C) can be tolerated. See the Technical Reference section for information on Steam Isolation and Temperature Protection.

If the **PSS2 Series** is to be subjected to fluid hammer, pressure surges, or pulsations, a Model 47 pressure snubber is recommended.

**CAUTION:** Not for use with ammonia. The PSS2 can be used with media that is compatible with 304L and 316L stainless steel.

### ORDERING INFORMATION

MODEL	DESCRIPTION
PSS2	Stainless steel 4-20 mA pressure transmitter
	<b>PRESSURE RANGE psig (kPa)</b>
15	0-15 (0-103.4)
30	0-30 (0-206.9)
50	0-50 (0-344.8)
75	0-75 (0-517.1)
100	0-100 (0-689.5)
150	0-150 (0-1034)
200	0-200 (0-1379)
300	0-300 (0-2068)
500	0-500 (0-3497)
750	0-750 (0-5171)
1000	0-1000 (0-6895)
	<b>OPTIONS</b> (leave blank for no options)
E	Watertight enclosure (with stainless steel bulkhead fitting)
G*	Enclosed with pressure gauge (watertight with transparent cover, brass fittings)
LCD*	Model LPI-1C LCD display with enclosure (not watertight, brass fittings)
RED*	Model LPI-1CR red digital display with enclosure (not watertight, brass fittings)

PSS2 - 100 - G

**Example:** PSS2-100-G Stainless steel pressure transmitter with a 4-20 mA output over the range of 0-100 psig, with pressure gauge, installed in a watertight enclosure with a transparent cover

\* Brass wetted parts option is only for those mediums compatible with brass.

### RELATED PRODUCTS

250R-3-1	250 OHM 3 WATT 1% resistor long leads
47B-1	Brass piston style snubber
47S-1	Stainless steel piston style snubber
PT	1/4" pigtail syphon with fittings