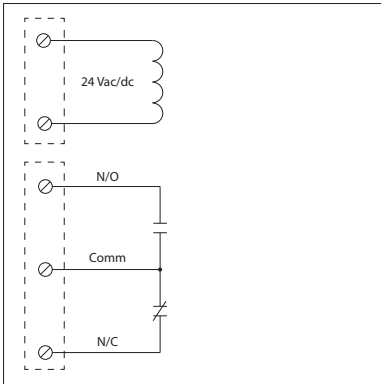


10 AMP TRACK MOUNT CONTROL RELAYS

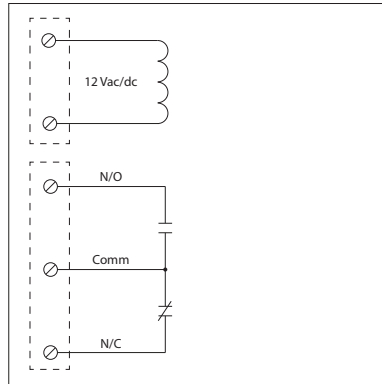
RIBAN24C

Track Mount Relay 10 Amp SPDT with 24 Vac/dc Coil



RIBAN12C

Track Mount Relay 10 Amp SPDT with 12 Vac/dc Coil



RELAYS

REMOVABLE TERMINALS

SPECIFICATIONS

Relays & Contact Type: One (1) SPDT Continuous Duty Coil
Expected Relay Life: 10 million cycles minimum mechanical
Operating Temperature: -30 to 140° F
Operate Time: 6ms
Relay Status: LED On = Activated
Dimensions: 1.025" x 2.750" x 2.850"
Terminals: Removable, Accepts 22-16 AWG copper wires
Mounting: A: 2.750" Track Mount, See MT212 Series on page 152. **MT212 Mounting Track Sold Separately.**
 B: 35mm x 7.5mm symmetrical DIN rail EN50022
 C: Screw Mount, See DS80625 on page 153. **DS80625 Self-Tapping Drill Screws Sold Separately.**
 D: Current Sensor Mount, See RIBXG Series on page 94 or RIBXK Series on page 93. **Current Sensors Sold Separately.**
Approvals: UL Listed, UL508, C-UL
Gold Flash: No
Override Switch: No

Contact Ratings:
 10 Amp General Use @ 277 Vac
 10 Amp Resistive @ 30 Vdc (N/O)
 7 Amp Resistive @ 30 Vdc (N/C)
 1/2 HP @ 125 Vac
 1 HP @ 250 Vac
 1/4 HP @ 277 Vac
 C300 Pilot Duty

Coil Current (RIBAN24C):
 26 mA @ 20 Vac
 31 mA @ 24 Vac
 14 mA @ 20 Vdc
 18 mA @ 24 Vdc
 28 mA @ 35 Vdc

Coil Voltage Input (RIBAN24C):
 24 Vac/dc ; 50-60 Hz
 Drop Out = 3 Vac / 3.8 Vdc
 Pull In = 20 Vac / 20 Vdc

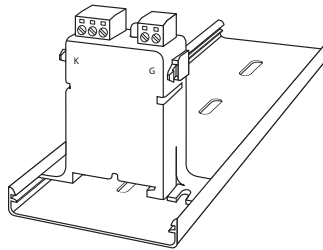
Coil Current (RIBAN12C):
 53 mA @ 10 Vac
 62 mA @ 12 Vac
 29 mA @ 11 Vdc
 35 mA @ 12 Vdc

Coil Voltage Input (RIBAN12C):
 12 Vac/dc ; 50-60 Hz
 Drop Out = 2 Vac / 2.5 Vdc
 Pull In = 9 Vac / 11 Vdc

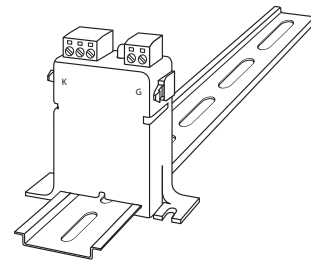
Notes:
 • Set of replacement terminals available. Order model number: TS-AN

RELAY MOUNTING OPTIONS A & B

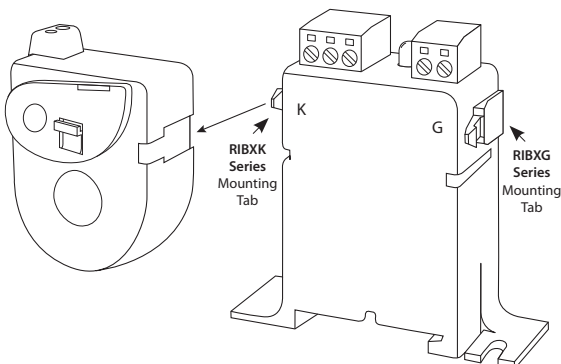
Mounting Option A:
 2.75" Track Mount
 MT212 Series



Mounting Option B:
 35mm x 7.5mm symmetrical
 DIN rail EN50022



CURRENT SENSOR MOUNTING OPTION D



1. Slide current sensor onto corresponding mounting tab.
2. Snap into place.
3. Depress tab to remove current sensor.

