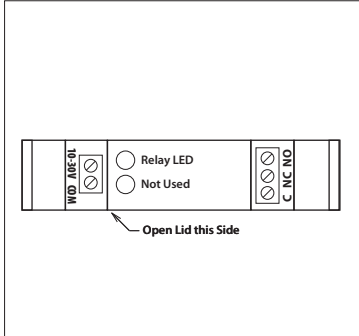


10 AMP PILOT CONTROL RELAYS

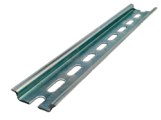
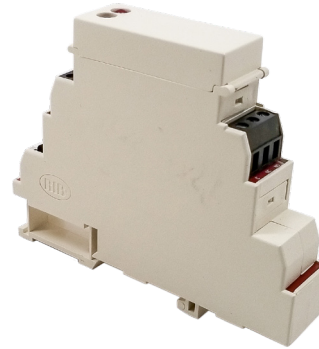
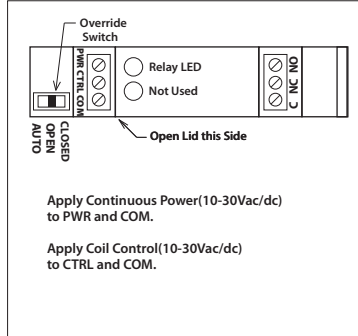
RIBRL1C

DIN Mount Relay 10 Amp SPDT with 10-30 Vac/dc Coil



RIBRL1S

DIN Mount Relay 10 Amp SPDT + Override 10-30 Vac/dc Coil



ADIN35
DIN Rail Perforated
35mm x 7.5mm x 1m



ADIN35ES
Pair of End Stops
for 35mm DIN Rail

Models ADIN35 and ADIN35ES sold separately. See data sheet on website for more product information.

RELAYS

Specifications

- # Relays & Contact Type: One (1) SPDT Continuous Duty Coil
- Expected Relay Life: 10 million cycles minimum mechanical
- Operating Temperature: -30 to 140° F
- Humidity Range: 5 to 95% (noncondensing)
- Operate Time: 20mS
- Relay Status: LED On = Activated
- Dimensions: 3.88" x 2.76" x 0.78"
- Terminal Strip: 14-22 AWG wire
- Approvals: UL Listed, UL916, C-UL
- Gold Flash: Yes
- Replacement Relay: ARL1C
- Accessories: ADIN35, ADIN35ES

- Contact Ratings:**
- 10 Amp Resistive @ 277 Vac
- 10 Amp Resistive @ 28 Vdc
- 480 VA Pilot Duty @ 240/277 Vac
- 480 VA Ballast @ 277 Vac
- Not rated for Electronic Ballast
- 600 Watt Tungsten @ 120 Vac (N/O)
- 240 Watt Tungsten @ 120 Vac (N/C)
- 1/3 HP @ 120-240 Vac (N/O)
- 1/6 HP @ 120-240 Vac (N/C)
- 1/4 HP @ 277 Vac (N/O)
- 1/8 HP @ 277 Vac (N/C)

- Coil Current:**
- 33 mA @ 10 Vac
- 35 mA @ 12 Vac
- 46 mA @ 24 Vac
- 55 mA @ 30 Vac
- 13 mA @ 10 Vdc
- 15 mA @ 12 Vdc
- 18 mA @ 24 Vdc
- 20 mA @ 30 Vdc

- Power and Control Voltage:**
- 10-30 Vac/dc ; 50-60 Hz
- Drop Out = 2.1 Vac / 2.8 Vdc
- Pull In = 9 Vac / 10 Vdc