



Overview

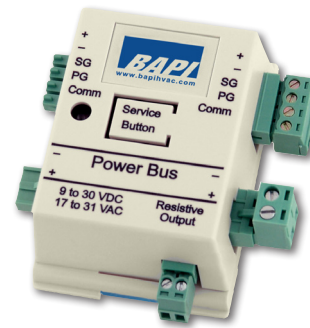
The Resistance Output Module (ROM) converts the temperature data from the Wireless Receiver into a Resistance for the DDC controller. The unit is factory calibrated to output a 10K-2, 10K-3 or 10K-3(11K) thermistor curve.

The ROM receives data from a BAPI 418 or 900 MHz Receiver through a four-wire bus. Up to 127 different Output Modules can be connected to a single receiver to send multiple variables to the controller. The ROM is easily trained to a single transmitter temperature or humidity variable with a pushbutton and LED. The ROM is surface, 2.75" snaptrack or 35mm din rail mountable.

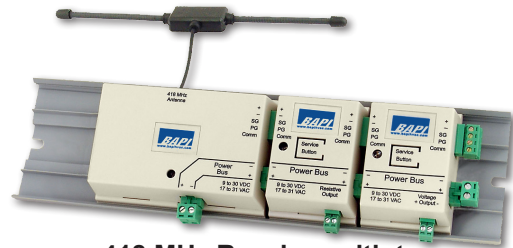
PART NUMBERS:

- BA/ROM-102-EZ** 10K-2 thermistor curve
- BA/ROM-103-EZ** 10K-3 thermistor curve
- BA/ROM-10311-EZ** 10K-3(11K) thermistor curve
- BA/ROM-20-EZ** 20K thermistor curve

See end of Section F for list pricing.



Resistance Output Module - ROM
(includes the Resistance Output terminal block connector only)



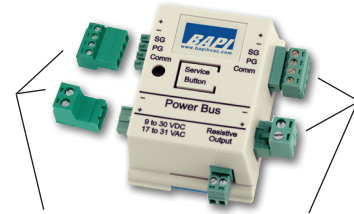
418 MHz Receiver with two Analog Output Modules

Pluggable Terminal Blocks

AOMs plug into each other and the receiver as shown above. However, the AOMs may also be mounted remotely using the optional Pluggable Terminal Block Connectors which are available as a 4-connector kit.

PART NUMBER:

- BA/AOM-CONN** - Pluggable Terminal Block Kit for AOMs (includes 4 terminal block connectors, see image at right)



Optional Pluggable Terminal Block Kit for AOMs (4 Connectors)

Specifications

Temperature Output Ranges at ~0.5°F Resolution:

- 10K-2 Unit:**35°F to 120°F (1°C to 50°C)
- 10K-3 Unit:**32°F to 120°F (0°C to 50°C)
- 10K-3(11K) Unit:** 32°F to 120°F (0°C to 50°C)
- 20K Unit:**53°F to 120°F (12°C to 50°C)

Supply Power: 9 to 30 VDC or 17 to 31 VAC, half wave

Power Consumption:

3 mA max. DC, .1 VA max AC

Analog Input Bias Voltage: 5 VDC max

Lost Comm. Timeout: 15 min. (Fast Flash)
Reverts to High Resistance >35KΩ (Low Temp.)

Bus Cable Distance:

4,000 ft with shielded, twisted pair cable
(Belden 9841, Belden 8132 or equivalent)

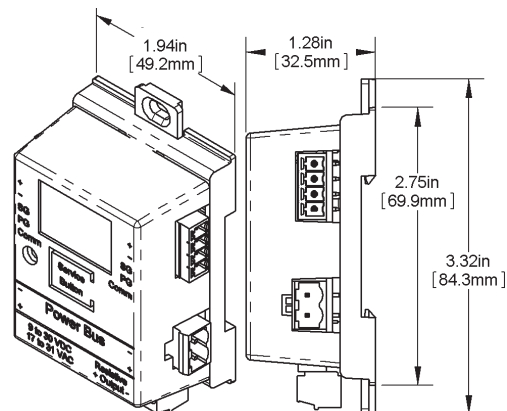
Output Resolution: ~40Ω

Environmental Operation Range:

Temp: 32°F to 140°F (0°C to 60°C)
Humidity: 5% to 95% RH non-condensing

Material: ABS Plastic

Material Rating: UL94, V-0



Resistance Output Module

