



Rev. 10/05/17

418 MHz to 900 MHz Repeater

F19

418 MHz Wireless System

Features & Options

- Extends Transmitter Range to 1,000 Feet

The BAPI Repeater receives the 418 MHz signal from one or more wireless temperature or humidity transmitters which have a range of 100 feet. The Repeater re-transmits the signal at 900 MHz up to 1,000 feet to a 900 MHz Receiver.

The 900 MHz Receiver then outputs the values to any Analog Output Module through a four-wire bus. The Analog Output Module converts the signal to an analog voltage, current or resistance for the controller. The 900 MHz Receiver can accommodate up to 127 different Analog Output Modules. The Repeater is surface, snaptrack or din rail mountable with an attached 900 MHz antenna and a 79" 418 MHz extendable antenna.

PART #S: BA/RPT49-EZ - 418 to 900 MHz Repeater
 BA/RPT49-EA-EZ - 418 to 900 MHz Repeater with Extendable Antenna Replacement



418 MHz to 900 MHz Repeater

Replacement Antennas pg. F25

See end of Section F for list pricing.

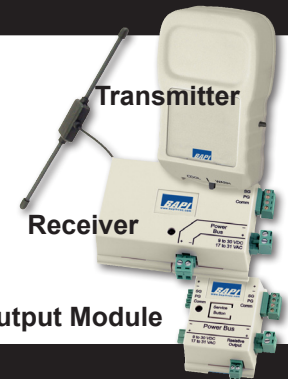
Associated Products

• 418 MHz Transmitters:

Measures the room temperature and/or humidity and transmits the data through 418MHz RF to a receiver.

• 900 MHz Receiver: Receives the re-transmitted signal signal from the Repeater and outputs the values to Analog Output Modules.

• Analog Output Modules: Convert the signal from the Receiver into a Resistance, Voltage or Current for sending to the controller.



Transmitter

Receiver

Output Module

Specifications

Supply Power: 9 to 15 VDC

Power Consumption: 150 mA max. DC

Inputs: 418MHz

Output: 900MHz at 100mW

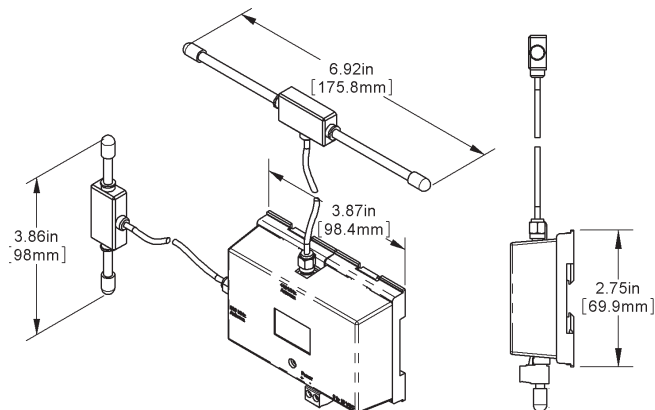
Environmental Operation Range:

Temp: -20°F to 140°F (-30°C to 60°C)

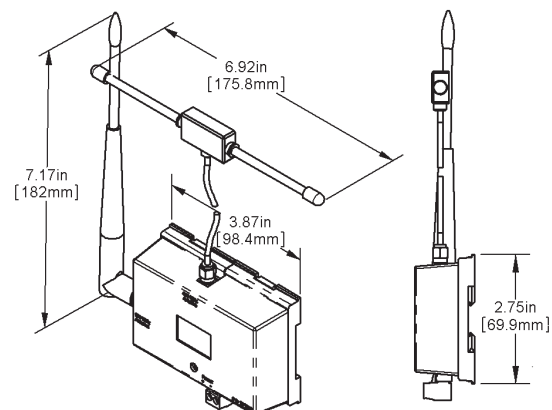
Humidity: 5% to 95% RH non-condensing

Material: ABS Plastic

Material Rating: UL94, V-0



Repeater with Extendable Antenna



Repeater with Attached Antenna

