

POWER MONITORING & PROTECTION

AC CURRENT TRANSDUCERS WITH VOLTAGE OUTPUT CX, SCX SERIES (VOLTAGE)

DESCRIPTION

The Kele CX/SCX Series AC current transducers with voltage output can be used to directly monitor up to 200A and output a 0-5 or 0-10 VDC signal. Available in a split-core design that allows for easy installation of the transducer on existing wiring or in a lower-cost solid-core version.

FEATURES

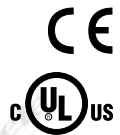
- May eliminate the need for current transformers
- Small size
- No power supply needed
- Split-core model easily installed over existing cable
- UL listed, CE certified



CX10V200



SCX10V60



SPECIFICATIONS

Frequency

CX 40-100 HZ

SCX 50-100 Hz

Measurement Range

Up to 200 Amps

Output

0-5 VDC or 0-10 VDC @ 1 MΩ typical

Insulation Class

600 VAC, insulated conductors

Response Time

200 ms typical, 0-90%

Accuracy

CX ± 2% FSO (5-100% of range)

SCX ± 2% FSO (10-100% of range)

Operating Temperature

5° to 140°F (-15° to 60°C)

Operating Humidity

5-90% RH, non-condensing

Enclosure Rating

NEMA 1, ABS/PC, UL94 V-0

Window Size

0.8" (2.03 cm)

Termination

14 to 22 AWG

Dimensions

CX

2.65"H x 2.6"W x 0.98"D
(6.7 x 6.6 x 2.5 cm)

SCX

3.05"H x 3.0"W x 0.98"D
(7.8 x 7.6 x 2.5 cm)

Weight

0.25 lb (0.11 Kg)

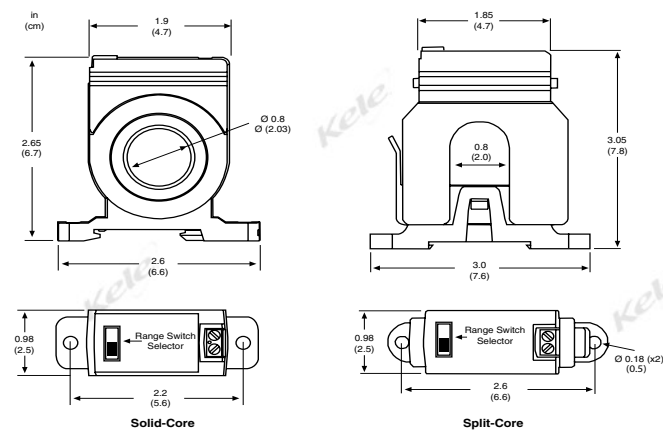
Approvals

UL File #E339785, CE

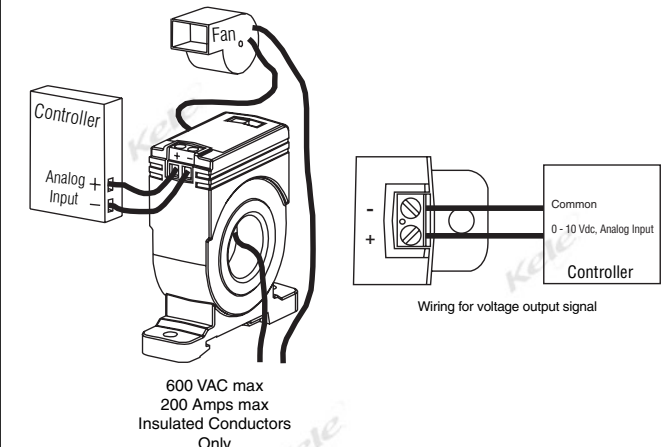
Warranty

5 years

DIMENSIONS



WIRING



POWER MONITORING & PROTECTION

AC CURRENT TRANSDUCERS WITH VOLTAGE OUTPUT CX, SCX SERIES (VOLTAGE)



ORDERING INFORMATION

| MODEL | SENSING RANGE | MAXIMUM INPUT CURRENT | SIGNAL OUTPUT | CORE TYPE |
|------------------|---------------------------------------|-----------------------|---------------|------------|
| CX05V50 | 0-10/20/50 Amps - Switch Selectable | 100 Amps Continuous | 0-5 VDC | Solid-core |
| CX05V150 | 0-50/100/150 Amps - Switch Selectable | 150 Amps Continuous | 0-5 VDC | Solid-core |
| CX05V200 | 0-200 Amps | 250 Amps Continuous | 0-5 VDC | Solid-core |
| CX10V50 | 0-10/20/50 Amps - Switch Selectable | 100 Amps Continuous | 0-10 VDC | Solid-core |
| CX10V100 | 0-100 Amps | 150 Amps Continuous | 0-10 VDC | Solid-core |
| CX10V200 | 0-200 Amps | 225 Amps Continuous | 0-10 VDC | Solid-core |
| SCX05V50 | 0-10/20/50 Amps - Switch Selectable | 100 Amps Continuous | 0-5 VDC | Split-core |
| SCX05V150 | 0-50/100/150 Amps - Switch Selectable | 150 Amps Continuous | 0-5 VDC | Split-core |
| SCX05V200 | 0-200 Amps | 250 Amps Continuous | 0-5 VDC | Split-core |
| SCX10V60 | 0-10/20/60 Amps - Switch Selectable | 100 Amps Continuous | 0-10 VDC | Split-core |
| SCX10V150 | 0-50/100/150 Amps - Switch Selectable | 150 Amps Continuous | 0-10 VDC | Split-core |
| SCX10V200 | 0-200 Amps | 225 Amps Continuous | 0-10 VDC | Split-core |