



T158 PROPORTIONAL THERMOSTAT

SMART ENERGY MANAGEMENT



HIGHLIGHTS

- Microprocessor Control
- Local or Remote Sensing
- On/Off Temperature Control Output
- Three-Wire Floating Control Output (TB158)
- Three Speed Fan Switching
- 2-Pipe/4-Pipe Configuration
- Manual or Auto Changeover
- Setback Capability
- Staged Heat (TB158)
- Operates at 50 or 60 Hz
- Fahrenheit or Celsius Display

Digital Controller for Accurate Zone Comfort

The T158 microprocessor-controlled thermostat is a stand-alone digital controller that supplies 24 VAC output control for valves, dampers, relays and three-wire floating valves. The use of an advanced proportional integral (PI) algorithm allows precise control of zone comfort under varying operational and environmental conditions.

Easy-to-Use Digital Display

The digital display, with easy-to-use adjustment buttons, allows convenient access to current zone temperature, setpoint temperature and operating mode.

Adjustable for Application Requirements

Optional pipe sensor changeover, setback and staged heat functions are available, on selected models, for adapting to application requirements.

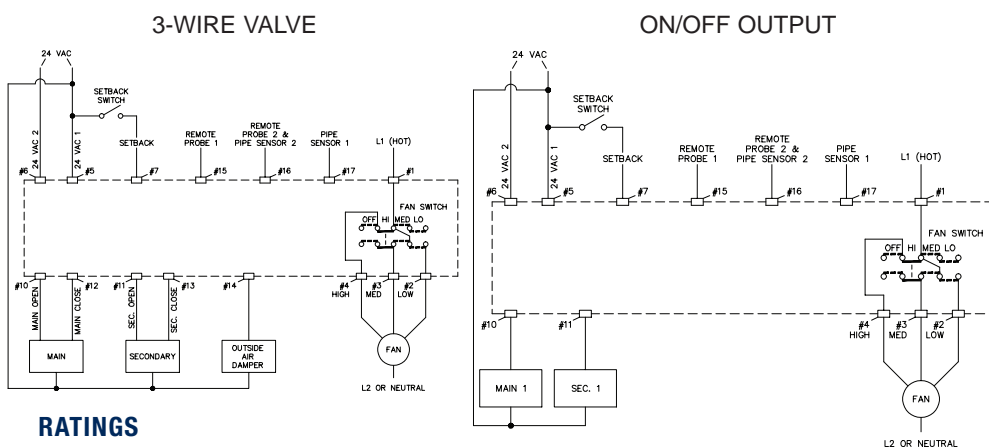
T158 PROPORTIONAL THERMOSTAT

TECHNICAL SPECIFICATIONS

Temperature Range	50 to 90°F / 10 to 32°C
Operating Differential	1°F / 0.5°C
Proportional Band	2°F / 1°C
Maximum Ambient	130°F / 54°C
Load Connections	Terminal blocks
Mounting	Installs on a standard 2" x 4" (50.8mm x 101.6 mm) device box
Agency Approvals	UL, UL Canada, CE



WIRING DIAGRAM



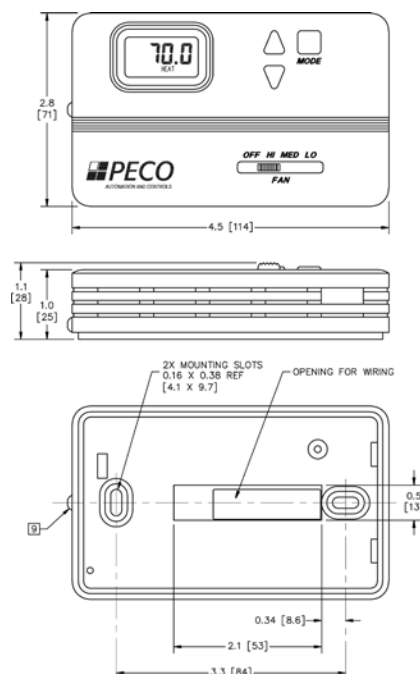
RATINGS

VOLTAGE RATING	FAN SWITCH				THERMOSTATIC SWITCHING (PILOT DUTY)
	INDUCTIVE FLA	INDUCTIVE LRA	RESISTIVE AMPS	PILOT DUTY	
24 VAC	N.A.	N.A.	N.A.	24 VA	10 VA
120 VAC	5.8	34.8	6.0	125 VA	N.A.
240 VAC	2.9	17.4	5.0	125 VA	N.A.
277 VAC	2.4	14.4	4.2	125 VA	N.A.

MODEL SELECTION GUIDE

Model	Part Number	Description
TA158-100	68730	Auto-Heat-Cool-Off, Off-Hi-Med-Lo Fan, On/Off Valves
TB158-100	68731	Auto-Heat-Cool-Off, Off-Hi-Med-Lo Fan, 3-Wire or On/Off Valves
TC158-100	68732	Auto-Heat-Off, On-Auto Fan
TH158-100	68733	Heat Pump Control, Auto-Heat-Cool-Off, Auto-On Fan

MOUNTING INSTRUCTIONS



Automation and Controls
Division of PECO, Inc.
PO Box 82189, Portland, OR 97282

Phone: 800-874-8547 / 503-233-6401
Email: sales@pecomanufacturing.com
www.pecomanufacturing.com