



You in Control

T-PB SERIES

24VAC POWER SUPPLIES

CLASS I & CLASS II

PRODUCT DESCRIPTION

The T-PB series is comprised of UL Listed (-1 suffix units) and UL Recognized Component (-0 suffix units) power supplies which provide 24VAC from a 115VAC @ 1.0A input. Each T-PB series unit includes a green pilot LED which, when illuminated, indicates that the 24VAC output is operational.

A DPDT ON/OFF switch is provided in the 115VAC input. This switch disconnects or connects both the H & N of the input power for the 24VAC output.

A 115VAC @ 5.0A convenience outlet is located on the front panel. This convenience outlet IS NOT controlled by the ON/OFF switch.

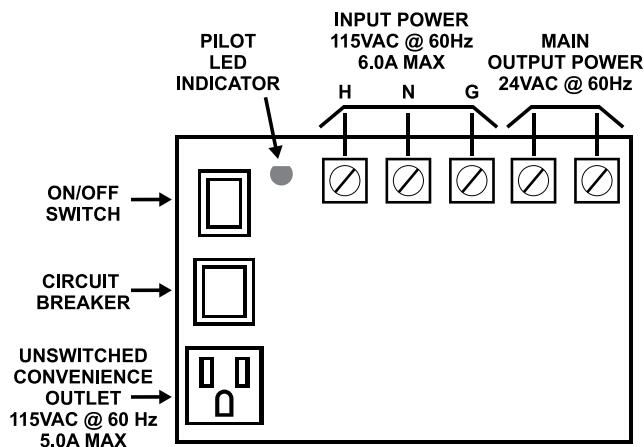
A circuit breaker is incorporated in the 24VAC output which must be manually reset if the rated 4.0A (Class I) or 3.0A (Class II) is exceeded and the breaker operates.



FEATURES

- ❖ Front visible green power-on (pilot) LED indicator
- ❖ ON/OFF power switch
- ❖ Circuit breaker protected output
- ❖ Auxiliary non-fused/non-switched convenience line power outlet
- ❖ 4.0A, 96VA (Class I) and 3.0A, 72VA (Class II) versions available
- ❖ "-0" chassis sub-assembly mount and "-1" full enclosure mounted versions available
- ❖ Front access plate for controls and auxiliary convenience outlet on "-1" versions
- ❖ For continuous duty use

INSTALLATION WIRING & CONTROLS



Air Products and Controls is
a Brand of Apollo America
25 Corporate Drive
Auburn Hills, MI 48326
(248) 332-3900 Phone
(888) 332-2241 Toll free
(248) 332-8807 Fax
www.ap-c.com



Distributed By:



PRODUCT SPECIFICATIONS

MODEL NUMBERS:	T-PB 202-1	T-PB 202-0	T-PB 303-1	T-PB 303-0
MAIN OUTPUT POWER:	24VAC @ 4.0A		24VAC @ 3.0A	
OUTPUT CAPACITY:	96VA		72VA	
SUPPLY CLASS:	Class I		Class II	
LISTINGS AND APPROVALS:	*QQFU.E160579 UL 1012	*QQFU2.E160579 UL 1012	*QQFU.E160579 UL 1012	*QQFU2.E160579 UL 1012
UNIT CONSTRUCTION:	Full Enclosure	Chassis Only	Full Enclosure	Chassis Only
OVERALL DIMENSIONS:	H 6.125" (156mm)	4.75" (121mm)	6.125" (156mm)	4.75" (121mm)
W	5.186" (132mm)	5" (127mm)	5.186" (132mm)	5" (127mm)
D	4.125" (105mm)	3.125" (80mm)	4.125" (105mm)	3.125" (80mm)
CONDUIT KNOCKOUTS: (1 Top and 1 Bottom)	0.75" (22mm)		0.75" (22mm)	
FRONT ACCESS PLATE:	H 4.313" (110mm)		4.313" (110mm)	
W	1.5" (38mm)		1.5" (38mm)	
METAL WORK:	16ga CRS (1.5mm) with beige painted finish and black silk-screened markings			
INPUT POWER:	115VAC @ 60Hz			
INPUT CURRENT:	1.0A Max for 24VAC main output power only 6.0A Max total with 5.0A convenience outlet in full use			
CONVENIENCE OUTLET:	Front accessible 115VAC @ 60Hz, 5.0A Max			
MAIN OUTPUT PROTECTION:	Front accessible 4.0A @ 32V manual reset circuit breaker			
MAIN OUTPUT CONTROL:	Front accessible DPDT ON/OFF rocker switch			
POWER ON INDICATOR:	Front visible green LED			
ENVIRONMENTAL:	-13°F to 140°F (-25°C to 60°C) @ 85% RH, Non-condensing			
WIRING:	Solid or stranded; #12 to #22 AWG terminals			

*QQFU = Power Supplies, General Purpose; /2 = Recognized Component

NOTICE: The information contained in this document is intended only as a summary and is subject to change without notice. The products described have specific instructional/installation documentation, which covers various technical, approval, code, limitation and liability information. Copies of this documentation along with any general product warning and limitation documents, which also contain important information, are provided with the product and are also available from Air Products and Controls Inc. The information contained in all of these documents should be considered before specifying or using the products. Any example applications shown are subject to the most current enforced local/national codes, standards, approvals, certifications, and/or the authority having jurisdiction. All of these resources, as well as the specific manufacturer of any shown or mentioned related equipment, should be consulted prior to any implementation. For further information or assistance concerning the products, contact Air Products and Controls Inc. Air Products and Controls Inc. reserves the right to change any and all documentation without notice.