

# ALARMS & INDICATION



## 3-1/2 DIGIT LCD PANEL DISPLAY VPI SERIES

2

ALARMS & INDICATION

### DESCRIPTION

The **Kele VPI Series** is a voltage (0-5V, 0-10V) input 24 VDC powered, 3-1/2 digit display. The **VPI Series** uses a voltage signal of 0-5 or 0-10 VDC that can be scaled to a span of 2000 digits within a range of -1999 to 1999. This display also features jumper selectable, built-in engineering units. The **VPI-4** offers large, easy to read 1" (2.54 cm) digits.

### FEATURES

- 0-5 or 0-10 VDC input signal
- 3-1/2 digit, easy to read LCD display (VPI-1, VPI-4)
- 4-1/2 digit, easy to read LCD display (VPI-3)
- Available in black amber, green and red digits
- Snap-in panel mounting
- NEMA 4 enclosure available
- Precalibrated before shipping
- Positive-to-negative indication
- Jumper selectable engineering unit display of °F, °C, PSI, %

### SPECIFICATIONS

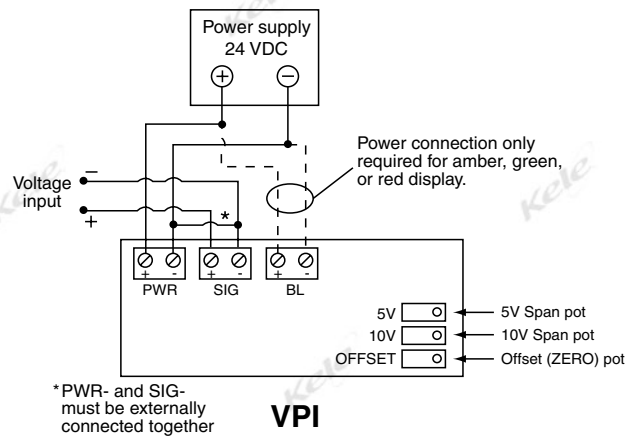
<b>Supply Voltage</b>	24 VDC @ 10 mA
<b>Black Color</b>	24 VDC @ 35 mA
<b>Accuracy</b>	0.1% of scale plus one digit
<b>Input Signal</b>	0-5 VDC or 0-10 VDC
<b>Input Impedance</b>	400 kΩ
<b>Range</b>	
VPI-1/4	-1999 to 1999
VPI-3	-19999 to 19999
<b>Digit Count</b>	
VPI-1, VPI-4	3-1/2 digits
VPI-3	4-1/2 digits
<b>Digit Size</b>	
VPI-1, VPI-3C	0.5" (1.27 cm)
VPI-4	1.0" (2.54 cm)
<b>Digit Span (VPI-3)</b>	2000 digits (20000 digits)
<b>Decimal Point (VPI-3)</b>	Three positions or none, Four positions or none
<b>Display Color</b>	Black, amber, green, red
<b>Zero Range (VPI-3)</b>	-1999 to 1999, -19999 to 19999, DA Only
<b>Cutout Requirement</b>	
VPI-1C	1.00"H x 2.40"W (2.54 x 6.10 cm)
VPI-4	1.77"H x 3.62"W (4.5 x 9.2 cm)
<b>Panel Clearance</b>	1.0" (5.08 cm)
<b>Operating Temperature</b>	32° to 122°F (0° to 50°C)
<b>Operating Humidity</b>	95% non-condensing
<b>Enclosure Rating</b>	NEMA 1, NEMA 4X
<b>Dimensions</b>	
VPI-1C, VPI-3C	1.10"H x 2.51"W (2.82 x 6.38 cm)
VPI-4	1.89"H x 3.62"W (4.8 x 9.6 cm)
<b>E (NEMA4X)</b>	6.0"H x 6.0"W x 3"D (15.2 x 15.2 x 7.6 cm)
<b>WMB</b>	2.12"H x 3.12"W x 1.75"D (5.4 x 7.94 x 4.45 cm)
<b>Weight</b>	0.25 lbs (0.11 Kg)
<b>Approvals</b>	RoHS
<b>Warranty</b>	1 year



### APPLICATION

- Temperature
- Humidity
- Pressure
- Gallons per minute
- Voltage
- Kilowatt demand

### WIRING



### ORDERING INFORMATION

Displays are custom calibrated at no charge and require specification of input scale (VDC), range, engineering units, and decimal point placement.

MODEL	DESCRIPTION
VPI-4	3-1/2 digit panel display*, 1" (2.54 cm) digits
VPI-1C	3-1/2 digit panel display*, 0.5" (1.27 cm) digits
VPI-3C	4-1/2 digit panel display*, 0.5" (1.27 cm) digits
-	3-1/2 digit display with black digits
A	3-1/2 digit display with amber digits
G	3-1/2 digit display with green digits
R	3-1/2 digit display with red digits
-	No enclosure
E	LCD panel display with NEMA 4X enclosure (VPI-1C and VPI-3C only)
WMB	LCD panel display with small enclosure (VPI-1C and VPI-3C only)
E-DBL	Two LCD panel displays in one NEMA 4X enclosure (VPI-1C and VPI-3C only)

**VPI-1C - A - E-DBL** Example: VPI-1C-A-E-DBL Two amber 3-1/2 digit displays mounted in a single enclosure

### RELATED PRODUCTS

- DCP-1.5-W** Power supply, 24 VAC IN to 24 VDC OUT
- DCPA-1.2** Power supply, 120 VAC In to 24 VAC/24 VDC Out
- GP-3420** LPI-1C, LPI-3C, VPI-1C mounting goof plate, 3.40" x 2.00" (8.6 x 5.1 cm)
- GP-3430** LPI-1C, LPI-3C, VPI-1C mounting goof plate, 3.40" x 3.00" (8.6 x 7.6 cm)