



# LEVEL & LEAK DETECTION

## TAPE STYLE WATER DETECTOR WD-2-T

### DESCRIPTION

The **Kele Model WD-2-T tape style water detector** uses a self-adhesive sensor tape with copper fiber electrodes and a durable netted cover for dependable detection of conductive liquids anywhere along the length of tape. The **Model WD-2-T** includes a tape integrity self-check feature, which activates a trouble output if the tape is unplugged, broken, or cut. Alarm relays may be independently jumpered to energize or de-energize upon water or trouble detection.

### FEATURES

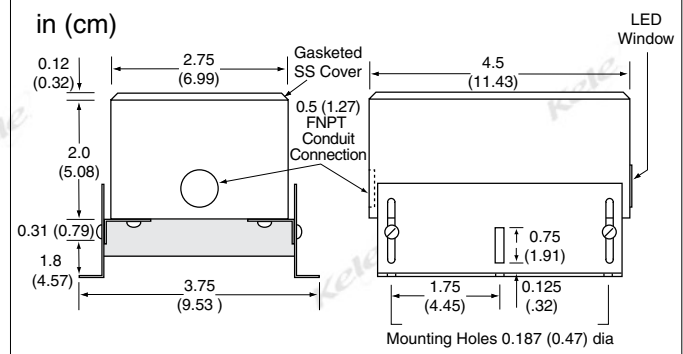
- *Weather resistant enclosure*
- *Designed to minimize external noise pickup*
- *SPDT alarm and trouble relay contacts*
- *Relay action jumper selectable*
- *Continuous tape integrity self-check*
- *Power/Alarm/Trouble status LED (green, red, green/red)*
- *Sensor tape lengths of 10 ft (3.1m), 25 ft (7.6m), 50 ft (15.2m), 100 ft (30.5m)*
- *Floor or under-pipe mounting*
- *Able to convert to two alarm relays*



WD-2



### DIMENSIONS



### OPERATION

The **Model WD-2-T** can be used with any contact-closure monitoring device, wiring to either the normally open or normally closed contacts for flexibility.

### SPECIFICATIONS

<b>Supply Voltage</b>	11-27 VAC @ 2.4 VA; 11-27 VDC @ 60 mA	<b>Dimensions</b>	4.23"H x 3.75"W x 4.5"D (10.7 x 9.5 x 11.4 cm)
<b>Relay Type</b>	SPDT	<b>Weight</b>	
<b>Relay Rating</b>	1 A @ 24 VAC/VDC, 1/2 A @ 120 VAC	<b>WD-2</b>	0.98 lb (6.44 Kg) (without tape)
<b>Sensor Electrodes</b>	3 mil copper fiber, 1/4" gap	<b>WD-2-T-10</b>	1.8 lb (0.8 Kg)
<b>Display</b>	Green & Red LED	<b>WD-2-T-25</b>	2.2 lb (1.0 Kg)
<b>Operating Temperature</b>		<b>WD-2-T-50</b>	3.0 lb (1.4 Kg)
<b>Detector</b>	32° to 158°F (0° to 70°C)	<b>WD-2-T-100</b>	4.6 lb (2.1 Kg)
<b>Tape</b>	32° to 180°F (0° to 82°C)	<b>Approvals</b>	CE
<b>Enclosure Rating</b>	Cast aluminum, weather resistant; NEMA 4	<b>Warranty</b>	1 year

### INSTALLATION

#### Floor Mounting

Mount the **Model WD-2-T** box adjacent to the area to be protected. Unroll the sensor tape, remove vinyl release layer from the back, and hand press onto a surface that is dry and free of all debris and dust.

**Note 1:** Once the sensor is activated (wet), the contacts will remain in alarm until the netted cover is completely dry.

**Note 2:** To convert the tape integrity check relay to a second alarm relay, remove the jumper in the lower right corner of the circuit board. If the sensing tape is not used, install the jumper labeled "NO TBL CHK."

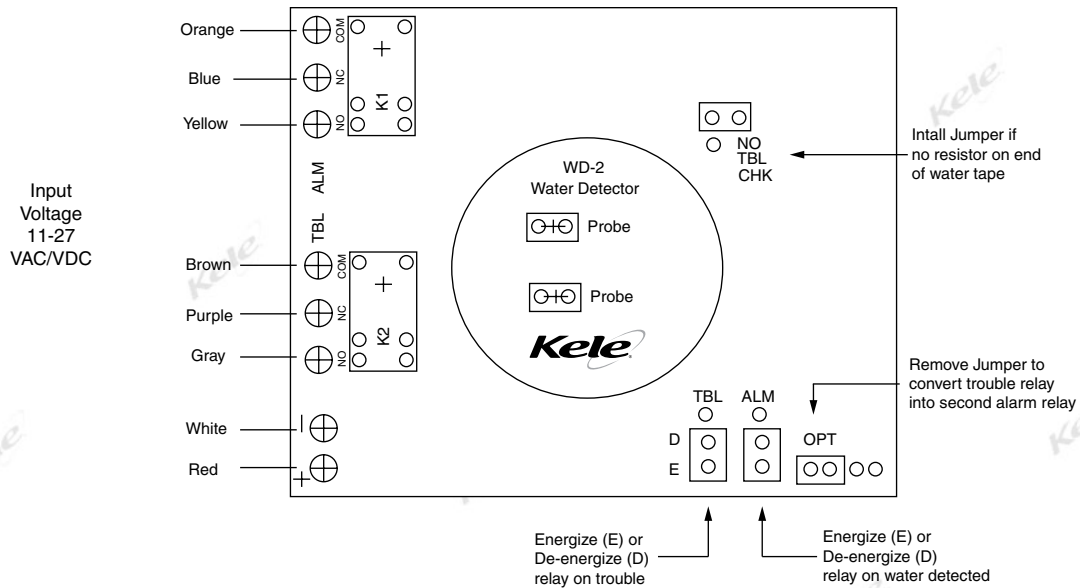
# LEVEL & LEAK DETECTION

## TAPE STYLE WATER DETECTOR WD-2-T



### WIRING

The **Model WD-2-T** is provided with a 1/2" FNPT conduit connection in the end of the enclosure. Terminations are made using the color-coded wires with field-supplied connectors. All interconnect wiring should be 18 AWG or larger.



The **Model WD-2-T** tape includes a supervisory resistor mounted on the far end for the tape integrity self-check. A self-check disable jumper is provided inside for use with older or cut-down tapes that do not have the supervisory resistor.

### STATUS INDICATOR

- **Green blink** Normal
- **Red blink** Water detected
- **Red/green alternating** Tape sensor problem

### JUMPER POSITIONS

- **NO TBL CHK** Install jumper to disable tape trouble check
- **OPT** Remove jumper to convert trouble contacts to second set of alarm contacts
- **ALM** (position D) De-energize relay on alarm (position E) Energize relay on alarm
- **TBL** (position D) De-energize relay on trouble (position E) Energize relay on trouble

### ORDERING INFORMATION

MODEL	DESCRIPTION
<b>WD-2</b>	Water detector without sensor tape
<b>WD-2-T-10</b>	Water detector with 10 (3.1m) sensor tape
<b>WD-2-T-25</b>	Water detector with 25 (15.2m) sensor tape
<b>WD-2-T-50</b>	Water detector with 50 (30.5m) sensor tape
<b>WD-2-T-100</b>	Water detector with 100 (7.6m) sensor tape

### RELATED PRODUCTS

<b>691-K0A</b>	Control transformer, 120:24 VAC, 40 VA, Class 2
<b>DPCP-1.5-W</b>	Power supply, 24 VAC IN to 24 VDC OUT
<b>DPCA-1.2</b>	Power supply, 120 VAC IN to 24 VAC/24 VDC OUT
<b>WD-CLIP-5</b>	Pack of five mounting clips (space 18"/45.7 cm for under-pipe installation)