

HIGH ACCURACY FLYING LEAD TEMPERATURE TRANSMITTER HATXFL Series

The high accuracy single point flying lead temperature transmitter utilizes a precision sensor encapsulated in 6.00 mm (0.236") OD X 50 mm (2"), 304 series stainless steel probe. Standard wire length is 3.05 m (10'). All probes are constructed to provide excellent heat transfer, fast response, and are potted to resist moisture penetration. A transmitter that provides a high precision signal with excellent long term stability, low hysteresis and fast response is provided.



SPECIFICATION:

Sensor Type 1000 ohm Platinum RTD
 Sensor Accuracy..... **RTD Class A:** ±0.15°C @ 0°C
 RTD 1/3 DIN: ±0.1°C @ 0°C
 RTD 1/10 DIN: ±0.03°C @ 0°C
 Probe Sensing Range..... -20 to 60°C (-4 to 140°F)
 Wire Material..... FT-6 rated plenum cable, 22 AWG
 Wire Length..... 3.05 m (10')
 Probe Material..... 304 series stainless steel
 Output Signal..... 4-20 mA current loop, 0-5 Vdc, or 0-10 Vdc
 (factory configured)
 Transmitter Accuracy..... ±0.125% of span, including linearity
 4-20 mA loop power supply..... 15-35 Vdc or 22-32 Vac
 Minimum Loop Current..... 2 mA nominal (occurs with shorted sensor)
 Maximum Loop Current..... 22.5 mA nominal (occurs with open sensor)
 Maximum Loop Load..... >600 ohms
 0-5 Vdc Power Supply..... 10-35 Vdc or 10-32 Vac
 0-10 Vdc Power Supply..... 15-35 Vdc or 15-32 Vac
 Maximum Current (Voltage)..... 5 mA nominal
 Maximum Output (Voltage)..... limited to <5.5 Vdc for 0-5 Vdc, <10.5 for 0-10 Vdc
 Input Voltage Effect..... Negligible over specified operating range
 Protection Circuitry..... Reverse voltage protected and output limited
 Ambient Operating Range..... 0 to 50°C (32 to 122°F), 0 to 95% RH non-condensing
 Enclosure..... ABS - UL94-V0, IP65 (NEMA 4X)
 E - includes thread adapter (1/2" NPT to M16),
 and cable gland fitting
 Wiring Connections..... Screw terminal block (14 to 22 AWG)
 Country of Origin..... Canada

*This product is factory calibrated and any field adjustment will void the warranty.

PART NUMBER SELECTED

PRODUCT SELECTION INFORMATION:

MODEL	Product Description
TXFL	Flying Lead Temperature Transmitter

CODE	Enclosure
A	ABS, with hinged & gasketed cover
E	Same as A, with thread adapter & cable gland fitting

CODE	Sensor
18	1000 Ω, Platinum, 2 wire, IEC 751, 385 Alpha, thin film Class A
48	1000 Ω, Platinum, 2 wire, IEC 751, 385 Alpha, thin film 1/3 DIN
22	1000 Ω, Platinum, 2 wire, IEC 751, 385 Alpha, thin film 1/10 DIN
41	1000 Ω, Platinum, 3 wire, IEC 751, 385 Alpha, thin film Class A
49	1000 Ω, Platinum, 3 wire, IEC 751, 385 Alpha, thin film 1/3 DIN
50	1000 Ω, Platinum, 3 wire, IEC 751, 385 Alpha, thin film 1/10 DIN

CODE	Output
A	4-20mA
C	0-5 Vdc
E	0-10 Vdc

CODE	Transmitter Calibrated Range
001	0 to 35°C (32 to 95°F)
002	0 to 50°C (32 to 122°F)
*	Custom Ranges Available

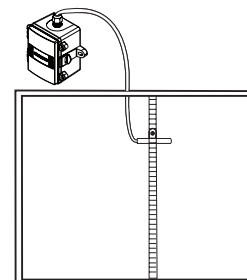
Greystone Energy Systems, Inc. reserves the right to make design modifications without prior notice.

TYPICAL INSTALLATION:

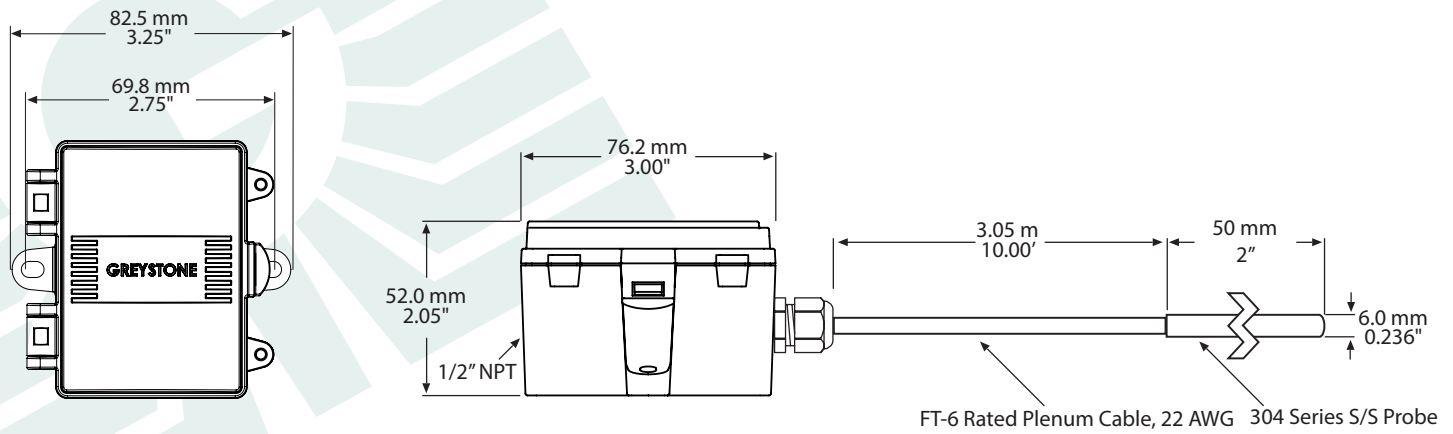
For complete installation and wiring details, please refer to the product installation instructions.

A typical application for the flying lead type probes is to monitor a single point temperature within the duct. Install the probe in a straight section of duct at a suitable distance downstream from any heating, cooling or humidification devices. Drill a 3/8 hole in the top of the duct and hang the sensor in the airstream.

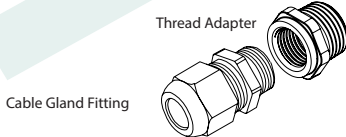
The enclosure provides mounting tabs for ease of installation.



DIMENSIONS:



Included with E style enclosure



GREYSTONE

ENERGY SYSTEMS INC

Greystone Energy Systems, Inc.
150 English Drive, Moncton,
New Brunswick, Canada E1E 4G7
(506) 853-3057 Fax: (506) 853-6014
North America: 1-800-561-5611
e-mail: mail@greystoneenergy.com
www.greystoneenergy.com

RoHS
COMPLIANT



Greystone Energy Systems Inc. is one of North America's largest ISO registered manufacturers of HVAC/R sensors and transmitters for Building Automation Management Systems.

We have conscientiously established a worldwide reputation as an industry leader by maintaining leading-edge design technology, prompt technical support, and a commitment to on-time deliveries. We take pride in our Quality Management System which is ISO 9001 certified, assuring our customers of consistent product reliability.

GREYSTONE HAS AN ISO 9001 REGISTERED QUALITY SYSTEM