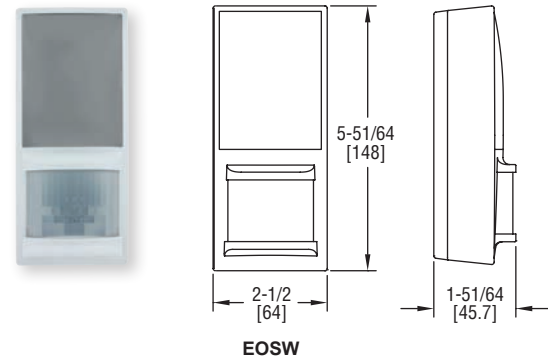
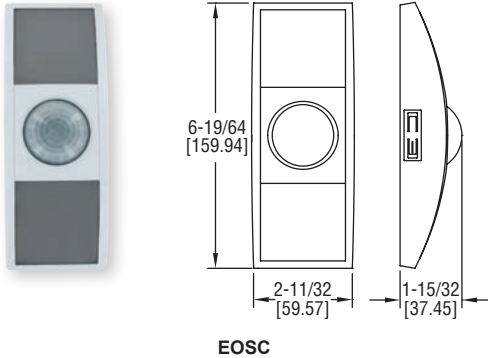


Dwyer

SERIES EOS

WIRELESS OCCUPANCY SENSOR

With EnOcean® Technology, Ceiling or Wall Mount



The **SERIES EOS** Wireless Occupancy Sensor uses EnOcean® technology to enable a new level of energy saving control for rooms, hallways, and other common areas. Using a PIR motion sensor to detect movement in a space, the EOSC models have a 360 degree viewing angle and the EOSW models offer wide angle and long range lenses in the same package. The EnOcean® technology allows for wireless communication with any other EnOcean®-enabled devices.

FEATURES/BENEFITS

- Energy harvesting, no power supply or batter necessary
- Ceiling mount option for a large coverage area or flat wall/corner mount in one design
- Energy and cost savings by determining if lights or HVAC should be turned off based on room occupancy
- Meets North American and European standards

APPLICATIONS

- Lighting or HVAC control
- Feedback to building management system that a space is occupied

MODEL CHART			
Model	Mounting	RF	Approvals
EOSCU-W-EO	Ceiling	902 MHz	FCC, IC (North America)
EOSWU-W-EO	Wall	902 MHz	FCC, IC (North America)
EOSCA-W-EO	Ceiling	868 MHz	CE, IC (Europe)
EOSWA-W-EO	Wall	868 MHz	CE, IC (Europe)

SPECIFICATIONS

Range: EOSC: 40 ft (12 m) diameter; EOSW with wide angle lens: 50 ft (15 m); EOSW with long range lens: 100 ft (30 m).
RF Communications: See model chart.
RF Transmission Range: 80 ft (25 m).
Temperature Limits: 14 to 104°F (-10 to 40°C).
Humidity Limits: 20 to 95% RH (non-condensing).
Operating Light: 50 lux (min).
Mounting Height: EOSC: 7 to 10 ft (2 to 3 m); EOSW: 6 to 8 ft (1.8 to 2.5 m).
Power Requirements: Indoor light energy harvesting. An optional supplemental battery or 3 to 5 VDC power supply can be used.
Weight: 0.42 oz (12 g).
Agency Approvals: See model chart.

ACCESSORIES

Model	Description
USB-300U	Wireless Receiver, 902 MHz
USB-300	Wireless Receiver, 868 MHz