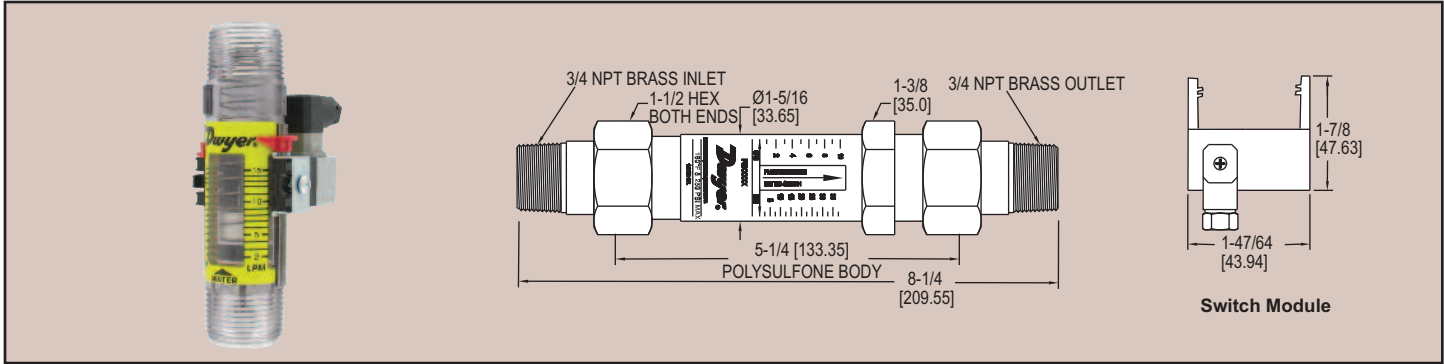




Series
FS

Flowmeter with Flow Limit Switch

Latching Relay, Adjustable, Dual Scale, Mount in any Position



Direct-Reading Series FS Flowmeters offer visual flow rate indication in GPM or LPM units. Models include an adjustable, latching flow alarm to open or close AC electrical circuits, trigger warning lights, or activate other process control equipment. Spring-retained moveable piston design allows installation in any position.

Model	Range, GPM (LPM)	Connections
FS10410	0.5 to 4.0 (1.9 to 15)	1" male NPT (polysulfone)
FS11610	1.0 to 16 (5 to 60)	1" male NPT (polysulfone)
FS12810	4.0 to 28 (20 to 100)	1" male NPT (polysulfone)
FS20400	0.5 to 4.0 (1.9 to 15)	3/4" male NPT (brass)
FS20700	1.0 to 7.0 (4 to 26)	3/4" male NPT (brass)

SPECIFICATIONS

Service: Compatible liquids.

Wetted Materials: Polysulfone body, barium ferrite, stainless steel spring and retaining rings.

Temperature Limits: 158°F (70°C).

Pressure Limits: 325 psi (22.4 bar).

Accuracy: ±5% full scale.

Repeatability: 1.0%.

Set Point: Adjustable 0 to 100% FS.

Relay Load: 1 A @ 30 VDC; 0.5 A @ 125 VAC (resistive).

Supply Voltage: 115 VAC, ±10%.

Current Consumption: 25 mA max.

Process Connections: 1" male NPT polysulfone or 3/4" male NPT brass.

Flow Scale: Calibrated at 1.0 specific gravity @ 70°F (21°C).

Weight: 1" male NPT polysulfone; 0.55 lb (0.25 kg); 3/4" male NPT brass: 0.90 lb (0.41 kg).

Agency Approvals: CE.

APPLICATIONS

Monitoring flow in chemical processing, waste water processing, process control, lubrication systems, solar systems, drain lines and pump testing.

USA: California Proposition 65

⚠ WARNING: Cancer and Reproductive Harm - www.P65Warnings.ca.gov