

FlowCon EV Actuators

FlowCon Thermal Actuators, NC



SPECIFICATIONS

FlowCon EV.0.2

Supply voltage:	24V AC -10%/+20%, 50/60 Hz
Type:	Thermal
Power consumption:	1 W
Control signal:	Analog 0-10V DC, normally closed
Failsafe function:	Yes, normally closed ¹
End switch:	No
Operation time:	Approximately 2.5 minutes
Actuating force:	100N ±5%
Ambient temperature:	0°C to +60°C / +32°F to +140°F
Protection:	IP54 including upside-down, protection class III
Cable:	Plug-in, 3 wires x 0.22 mm ² PVC, standard 1 m Plug-in, 3 wires x AWG24 PVC, standard 3.3 ft

FlowCon EV.0.3

Supply voltage:	230V AC ±10%, 50/60 Hz
Type:	Thermal
Power consumption:	1 W
Control signal:	ON/OFF, normally closed
Failsafe function:	Yes, normally closed ¹
End switch:	No
Operation time:	Approximately 4 minutes
Actuating force:	100N ±5%
Ambient temperature:	0°C to +60°C / +32°F to +140°F
Protection:	IP54 including upside-down, class II
Cable:	Fixed, 2 wires x 0.75 mm ² PVC, standard 1 m Fixed, 2 wires x AWG18 PVC, standard 3.3 ft

Note 1: To ensure that the valve is in an open position during commissioning of the system, the actuator will be delivered in open position and remain in this position until it is electrically operated first time.

SPECIFICATIONS (...continued)

FlowCon EVP.0.3²

Supply voltage:	230V AC $\pm 10\%$, 50/60 Hz
Type:	Thermal
Power consumption:	2 W
Max. inrush current:	300mA for max. 200 ms
Control signal:	ON/OFF, normally closed
Failsafe function:	Yes, normally closed ³
End switch:	No
Operation time:	Approximately 3 minutes
Actuating force:	100N $\pm 5\%$
Stroke:	4 mm
Ambient temperature:	0°C to +60°C / +32°F to +140°F
Fluid temperature:	0°C to +100°C / +32°F to +212°F
Protection:	IP54 including upside-down, class II
CE conformity:	EN 60730
Cable:	Fixed, 2 wires x 0.75 mm ² PVC, standard 1 m Fixed, 2 wires x AWG18 PVC, standard 3.3 ft

FlowCon EV.0.4

Supply voltage:	24V AC/DC -10%/+20%, 50/60 Hz
Type:	Thermal
Power consumption:	1 W
Control signal:	ON-OFF, normally closed
Failsafe function:	Yes, normally closed ³
End switch:	No
Operation time:	Approximately 4 minutes
Actuating force:	100N $\pm 5\%$
Ambient temperature:	0°C to +60°C / +32°F to +140°F
Protection:	IP54 including upside-down, class III
Cable:	Fixed, 2 wires x 0.75 mm ² PVC, standard 1 m Fixed, 2 wires x AWG18 PVC, standard 3.3 ft

FlowCon EV.0.5

Supply voltage:	120V AC $\pm 10\%$, 50/60 Hz
Type:	Thermal
Power consumption:	1 W
Control signal:	ON/OFF, normally closed
Failsafe function:	Yes, normally closed ³
End switch:	No
Operation time:	Approximately 4 minutes
Actuating force:	100N $\pm 5\%$
Ambient temperature:	0°C to +60°C / +32°F to +140°F
Protection:	IP54 including upside-down, protection class II
Cable:	Fixed, 2 wires x 0.75 mm ² PVC, standard 1 meter Fixed, 2 wires x AWG18 PVC, standard 3.3 ft

FlowCon EV.1.3

Supply voltage:	230V AC $\pm 10\%$, 50/60 Hz
Type:	Thermal
Power consumption:	1 W
Control signal:	ON/OFF, normally closed
Failsafe function:	Yes, normally closed ³
End switch:	Yes
Switching point:	Approximately 2 mm
Switching capacity:	230V AC, 5A ohm resistive load, 1A inductive load
Operation time:	Approximately 4 minutes
Actuating force:	100N $\pm 5\%$
Ambient temperature:	0°C to +60°C / +32°F to +140°F
Protection:	IP54 including upside-down, class II
Cable:	Fixed, 4 wires x 0.75 mm ² PVC, standard 1 m Fixed, 4 wires x AWG18 PVC, standard 3.3 ft

Note 2: Please note that FlowCon EVP.0.3 is marked **VM 230V** on actuator and box label.

Note 3: To ensure that the valve is in an open position during commissioning of the system, the actuator will be delivered in open position and remain in this position until it is electrically operated first time.

SPECIFICATIONS (...continued)

FlowCon EV.1.4

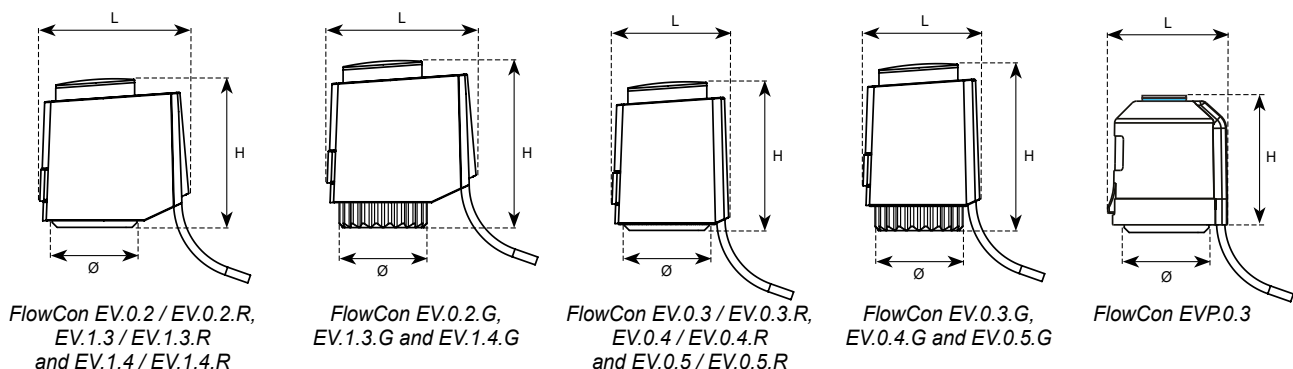
Supply voltage:	24V AC/DC -10%/+20%, 50/60 Hz
Type:	Thermal
Power consumption:	1 W
Control signal:	ON/OFF, normally closed
Failsafe function:	Yes, normally closed ⁴
End switch:	Yes
Switching point:	Approximately 2 mm
Switching capacity:	24V AC, 3A ohm resistive load, 1A inductive load
Operation time:	Approximately 4 minutes
Actuating force:	100N ±5%
Ambient temperature:	0°C to +60°C / +32°F to +140°F
Protection:	IP54 including upside-down
Cable:	Fixed, 4 wires x 0.75 mm ² PVC, standard 1 m Fixed, 4 wires x AWG18 PVC, standard 3.3 ft

Note 4: To ensure that the valve is in an open position during commissioning of the system, the actuator will be delivered in open position and remain in this position until it is electrically operated first time.

DIMENSIONS AND WEIGHT (NOMINAL)

Actuator model	Valve size	L	Ø	H		Weight ³	
				Min.	Max.		
	mm (in)	mm (in)	mm (in)	mm (in)	mm (in)	kg (lb)	
EV.0.2 / EV.0.2.R	15 (1/2)	61.5 (2.42)	36.2 (1.43)	55.1 (2.17)	60.1 (2.37)	0.119 (0.262)	
EV.0.3 / EV.0.3.R							
EV.0.4 / EV.0.4.R		20 (3/4)	48.4 (1.92)	36.2 (1.43)	54.2 (2.13)		59.2 (2.33)
EV.0.5 / EV.0.5.R							
EVP.0.3		25 (1)	49.4 (1.95)	36.2 (1.43)	53.6 (2.11)		59.1 (2.33)
EV.1.3 / EV.1.3.R							
EV.1.4 / EV.1.4.R							
EV.0.2.G	15 (1/2)	61.5 (2.42)	36.8 (1.45)	64.6 (2.54)	69.6 (2.74)	0.127 (0.280)	
EV.0.3.G							
EV.0.4.G		20 (3/4)	48.4 (1.92)	36.8 (1.45)	64.2 (2.53)		69.5 (2.74)
EV.0.5.G							
EV.1.3.G		25 (1)	56.0 (2.21)	36.8 (1.45)	64.8 (2.55)		69.8 (2.75)
EV.1.4.G							

Note 3: The weight includes actuator, adaptor ring and 1 meter cable.



MODEL NUMBER SELECTION

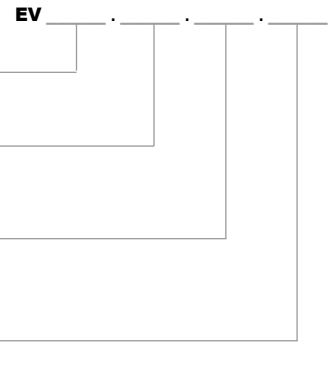
Leave blank= Standard
P=Project (only available for 230V ON/OFF, no end switch)

Insert end switch:
0=no end switch
1=incl. end switch

Insert control type:
2=24V, 0-10V modulating (only without end switch)
3=230V ON/OFF
4=24V ON/OFF
5=110V ON/OFF (only without end switch)

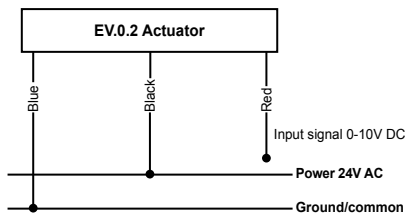
Insert type of adaptor ring:
Leave blank=black adaptor ring (for all FlowCon valves except FlowCon T-JUST and FlowCon EVC)
R=red adaptor ring (for FlowCon T-JUST)
G=grey adaptor ring (for FlowCon EVC)

Example: EV.0.3=FlowCon EV 230V ON/OFF actuator (with black adaptor ring).

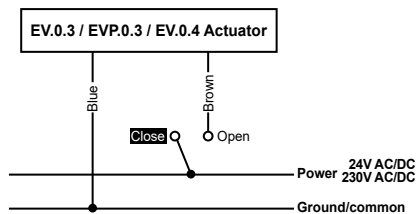


WIRING INSTRUCTION

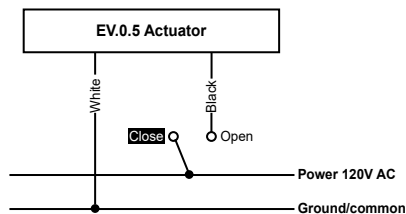
FlowCon EV.0.2



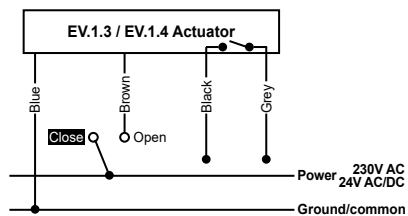
FlowCon EV.0.3 / EVP.0.3 / EV.0.4



FlowCon EV.0.5



FlowCon EV.1.3 / EV.1.4



UPDATES

For latest updates please see www.flowcon.com

FlowCon International can accept no responsibility for possible errors in any printed material.
 All rights reserved.