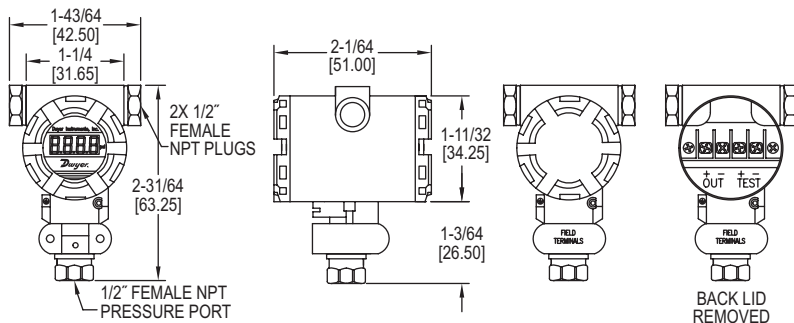


**SERIES IWP**

# INDUSTRIAL WEATHERPROOF PRESSURE TRANSMITTER

Exceptional Reliability for Harsh Environments



The **Series IWP Industrial Weatherproof Pressure Transmitter** provides an exceptional value solution to pressure measurement in industrial conditions requiring high-performance, stability and long service life. The precise operation under dirty and wet conditions, make the Series IWP an ideal choice for petroleum, chemical and metallurgical industry applications.

**FEATURES/BENEFITS**

- Rugged, weather-proof design supports use in harsh environments

**APPLICATIONS**

- Harsh environments
- Process
- Chemical
- Petroleum
- Metallurgical

**OPTIONS**

Use order code:	Description
<b>NISTCAL-PT1</b>	NIST traceable calibration certificate

**SPECIFICATIONS**

**Service:** Gases and liquids compatible with wetted materials.  
**Wetted Materials:** 304 and 316 stainless steel.  
**Accuracy:** 0.5% FS.  
**Stability:** <0.2% FS per year.  
**Temperature Limits:** -22 to 203°F (-30 to 95°C).  
**Compensated Temperature Limits:** 32 to 158°F (0 to 70°C).

**Pressure Limits:** 1.5 x pressure range.  
**Temperature Coefficient:** 0.3% FS per 10°C.  
**Power Requirements:** 12 to 36 VDC.  
**Output Signal:** 4 to 20mA.  
**Loop Resistance:** 1200 Ω max.  
**Electrical Conduit Connection:** 1/2" female NPT.  
**Process Connection:** 1/2" female NPT.  
**Enclosure Rating:** IP65.

**MODEL CHART**

Model	Pressure Range	Model	Pressure Range
<b>IWP-00</b>	0 to 30 psig	<b>IWP-04</b>	0 to 300 psig
<b>IWP-01</b>	0 to 50 psig	<b>IWP-05</b>	0 to 500 psig
<b>IWP-02</b>	0 to 100 psig	<b>IWP-06</b>	0 to 1000 psig
<b>IWP-03</b>	0 to 200 psig	<b>IWP-10</b>	0 to 30 psia