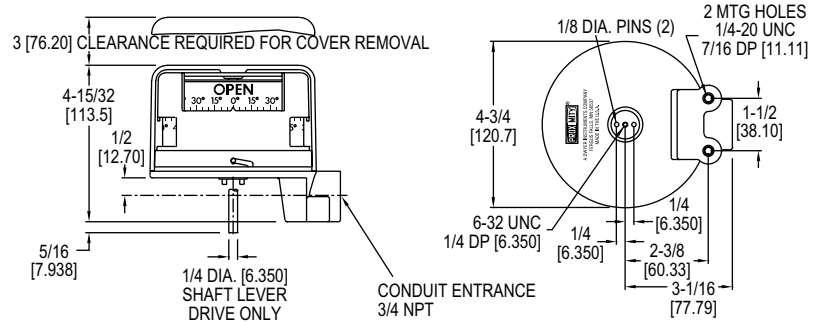


# QUICK-VIEW® VALVE POSITION INDICATORS/SWITCHES

Ultra-Low Cost, Compact, Backlit, Corrosion Resistant



The Series QV Quick-View® Valve Position Indicators/Switches, now UL and CSA rated, are produced by Proximity with up to four individual mechanical or proximity switches. The Quick-View® indicator is also available with optional backlighting.

**FEATURES/BENEFITS**

- The lowest cost position indication
- Extremely compact design
- Easily interchangeable with key competition
- Backlighting option available for maximum visibility
- Quick-View® Indicator and mounting kits, including NAMUR kits, are stocked for fast delivery
- Flame retardant
- UV protection
- Hazardous location option

**APPLICATIONS**

- Rotary or linear valve indication
- Industrial damper position monitoring

**SPECIFICATIONS**

**Minimum Rotation Travel (Switches only):** 5°.  
**Maximum Rotation Travel (Switches only):** 360°.  
**Temperature Limits:** -40 to 180°F (-40 to 82°C).  
**Switch Type:** SPDT.  
**Electrical SPDT Switch Ratings:** QV-X1XXXX: 10 A @ 125/250 VAC; 0.5 A 125 VDC; 10 A @ 24 VDC mech. switch; QV-X2XXXX: 1 A @ 125 VAC; 1A @ 24 VDC mech. switch; QV-X3XXXX: 2 A @ 125 VAC; 2A @ 30 VDC prox. switch; QV-X4XXXX: 5-25 VDC namur sensor; QV-X5XXXX: 10-30 VDC inductive sensor; QV-X6XXXX: 10 A @ 125/250 VAC mech. switch.  
**Lighting Supply Voltage:** 24-28 VDC.  
**Enclosure Material:** Polycarbonate housing and conduit.  
**Conduit Entrance:** One 3/4" NPT.  
**Enclosure Rating:** NEMA 4, 4X (IP66, IP56). Optional explosion-proof, rated: Class I, Groups A, B, C, D; Class II, Groups F & G; Div. 2.  
**Maximum Altitude:** 2000 m (6560 ft).  
**Agency Approvals:** CE, CSA, cULus.

MODEL CHART	
Model	Backlighting
QV-210101	No
QV-210111	Yes
<p><b>Note:</b> Stocked position indicators include two 10 amp SPDT mechanical snap switches, are direct drive type and include the standard quarter-turn OPEN/CLOSED visual indicator. Standard units are CSA &amp; UL approved but not for hazardous locations. Specify "EX" for hazardous location option. Consult factory for optional VI colors</p>	



Model QV mounted to an actuator

MODEL CHART							
Example	QV	-2	1	01	0	1	QV-210101
<b>Series</b>	QV						Quick-View® valve position indicator/switch
<b>Number of Switches</b>		0	1	2	3	4	None* One* Two* Three* Four*
<b>Switch Type</b>		0	1	2	3	4	No switches* 10A mechanical snap switch 1A mechanical gold contacts 2A Proximity reed switch* 5-25 VDC namur sensor 10-30 VDC inductive sensor 10A mechanical snap switch
<b>Driving Style</b>				01	02	03	Direct* Lever* Namur*
<b>Lighting Option</b>					0	1	None* 24 to 28 VDC bright white LED's
<b>Visual Indication</b>					0	1	None Standard (open closed)* Upside down (open closed)*
<b>Additional Options</b>						EX	Class I, Div. II, Groups A, B, C & D; Class II, Div. II Groups F & G.
*EX, Explosion-proof option available.							<b>Note:</b> The 1st, 2nd, 3rd and 6th codes can not all be zero.