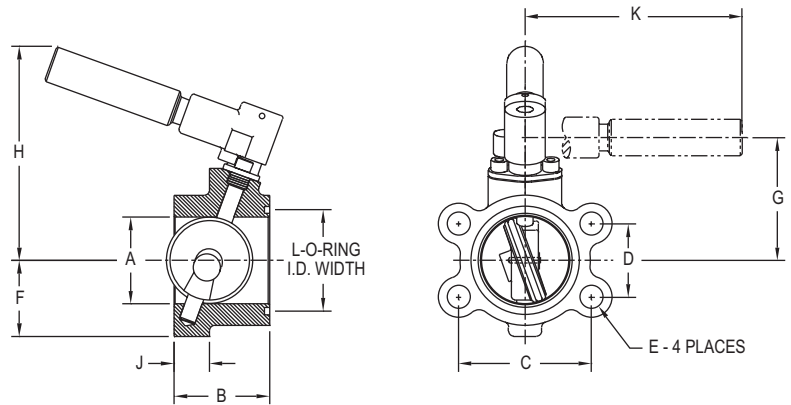


BUTTERFLY VALVE

Low Cost, S.A.E. Flange, Hydraulic Reservoir Shut Off Valve



Size	A in [mm]	B in [mm]	C in [mm]	D in [mm]	E in [mm]	F in [mm]	G in [mm]	H in [mm]	J in [mm]	K in [mm]	L in [mm]	I.D. X W.D.
2"	2 [50.80]	2 [50.80]	3-1/16 [77.79]	1-11/16 [42.86]	1/2 [12.70]	1-3/4 [44.45]	2-13/16 [71.44]	5-1/8 [130.18]	13/16 [20.64]	5 [127.00]	2-1/4 [57.15]	1/8 [3.18]
2-1/2"	2-1/2 [63.50]	2 [50.80]	3-1/2 [88.90]	2 [50.80]	1/2 [12.70]	2-1/16 [52.39]	3-1/8 [79.38]	5-1/8 [130.18]	13/16 [20.64]	5 [127.00]	2-3/4 [69.85]	1/8 [3.18]
3"	3 [76.20]	2-1/2 [63.50]	4-3/16 [106.36]	2-7/16 [61.91]	5/8 [15.88]	2-5/16 [58.74]	3-3/8 [85.73]	5-1/8 [130.18]	1-1/16 [26.99]	5 [127.00]	3-3/8 [85.73]	1/8 [3.18]
4"	4 [101.60]	3-1/4 [82.55]	5-1/8 [130.18]	3-1/16 [77.79]	5/8 [15.88]	2-3/4 [69.85]	4 [101.60]	5-5/8 [142.88]	1-1/4 [31.75]	5 [127.00]	4-3/8 [111.13]	1/8 [3.18]
5"	5 [127.00]	4 [101.60]	6 [152.40]	3-5/8 [92.08]	5/8 [15.88]	3-5/16 [84.14]	4-3/8 [111.13]	6 [152.40]	1-1/2 [38.10]	5 [127.00]	5-3/8 [136.53]	1/8 [3.18]

The **Series SAE Butterfly Valve** is an ideal low cost hydraulic reservoir shut off valve. These valves are designed to meet the demanding needs of the fluid power industry. Unique features include an O-ring flange face seal complying with S.A.E. J518 dimensional requirements. This design provides for bubble tight reservoir shut off up to 25 psi (1.72 bar) and a max temperature of 180°F (82.2°C). The compact envelope dimension reduces space requirements. Unit allows for adjustment by incorporating an open/close detent position lock which can be infinitely positioned to achieve a desired flow rate. The unique design resists the vibrations associated with hydraulic pumps and pumping systems. Optional fluoroelastomer seals and locking handle are available.

FEATURES/BENEFITS

- Flange face complies with S.A.E. J518 dimensional requirements
- Bubble tight shut-off
- Locking handles are available

APPLICATIONS

- Hydraulic reservoir isolation on injection molding or earth moving equipment
- Used to isolate the hydraulic reservoir during maintenance

MODEL CHART	
Model	Flange Size
SAE-20	2"
SAE-25	2-1/2"
SAE-30	3"
SAE-40	4"
SAE-50	5"

OPTIONS	
To order add suffix:	Description
-VIT	Fluoroelastomer O-ring seals
Example: SAE-30-VIT	
-LHR	Locking handle
Example: SAE-30-LHR	

SPECIFICATIONS

Service: Compatible liquids and gases.
Line Size: 2" to 5".
Body Style: 2-way, lug butterfly.
End Connections: O-ring flange face seal (S.A.E. J518).
Pressure Limit: Shut-off: 25 psi (1.72 bar) bubble tight; Body shell: 500 psi (34.5 bar).
Wetted Materials: Body and disc/vane: Cast iron; O-rings: Buna-N or fluoroelastomer; Stem: Steel.
Temperature Limits: Buna-N: 180°F (82°C); Fluoroelastomer: 300°F (149°C).