



● Features:

- * An all-purpose, economical thermometer with a vertical and 90° angle sensing tube and case
- * **Single thermowell or Double thermowells**, brass, lead free brass or stainless steel material
- * Impact resistant ABS case
- * Red or blue liquid-in glass
- * Dual scale (°F&°C)
- * Back (90° Angle) or bottom connected
- * 1/2"NPT process connection
- * ASME B40.200 compliant
- * 5 year warranty

● Applications:

- * Hot water lines, boilers, heating, ventilation and air conditioning

Specifications	
Scale	Aluminum, painted white with black markings
Case	6" (150mm) Grey or Black ABS
Lens	Acrylic standard, Glass available
Tube	Prismatic glass
Liquid Filling	Kerosene, tinted red or blue
Thermowell	Brass, Lead free brass or Stainless steel, Single or Double thermowells
Swivel Nut	Brass
Operating Pressure	Maximum 710 psi (50kg/cm ²)
Ambient Temperature	-40°F to 122°F (-40°C to 50°C)
Process Temperature	-40°F to 400°F (-40°C to 204°C)
Accuracy	±2% of full scale
Enclosure Rating	IP50

● TE6-1 Series, Product Code, Single Thermowell

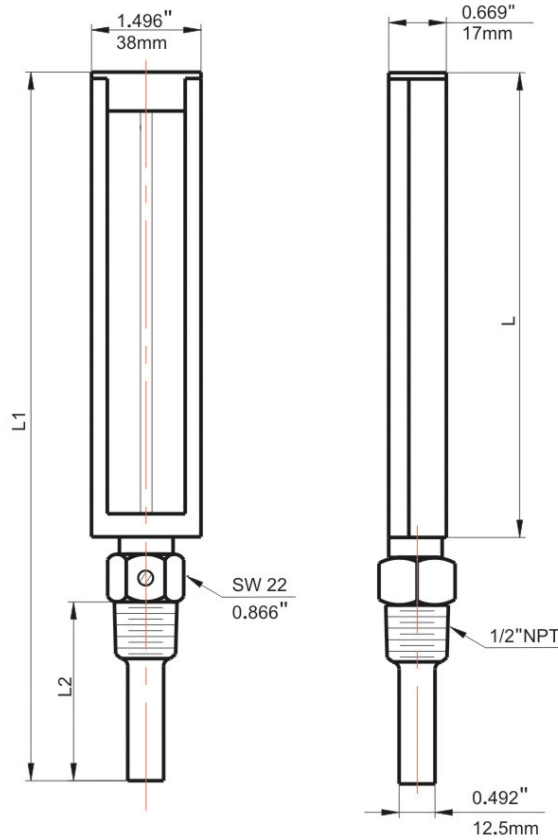
Case Length	6" (150 mm)							
Form of Body	Straight				90° Angle			
Stem Length	2"	2.5"	3"	4"	2"	2.5"	3"	4"
-40/110°F & -40/40°C	TGS21F	TGS251F	TGS31F	TGS41F	TGA21F	TGA251F	TGA31F	TGA41F
20/180°F & -5/80°C	TGS22F	TGS252F	TGS32F	TGS42F	TGA22F	TGA252F	TGA32F	TGA42F
30/240°F & 0/115°C	TGS23F	TGS253F	TGS33F	TGS43F	TGA23F	TGA253F	TGA33F	TGA43F
30/300°F & 0/150°C	TGS24F	TGS254F	TGS34F	TGS44F	TGA24F	TGA254F	TGA34F	TGA44F
50/400°F & 10/200°C	TGS25F	TGS255F	TGS35F	TGS45F	TGA25F	TGA255F	TGA35F	TGA45F

● TE6-2 Series, Product Code, Double Thermowells

Case Length	6" (150 mm)									
Form of Body	Straight					90° Angle				
Stem Length	2"	2.5"	3"	4"	6"	2"	2.5"	3"	4"	6"
-40/110°F & -40/40°C	TBS21F	TBS251F	TBS31F	TBS41F	TBS61F	TBA21F	TBA251F	TBA31F	TBA41F	TBA61F
20/180°F & -5/80°C	TBS22F	TBS252F	TBS32F	TBS42F	TBS62F	TBA22F	TBA252F	TBA32F	TBA42F	TBA62F
30/240°F & 0/115°C	TBS23F	TBS253F	TBS33F	TBS43F	TBS63F	TBA23F	TBA253F	TBA33F	TBA43F	TBA63F
30/300°F & 0/150°C	TBS24F	TBS254F	TBS34F	TBS44F	TBS64F	TBA24F	TBA254F	TBA34F	TBA44F	TBA64F
50/400°F & 10/200°C	TBS25F	TBS255F	TBS35F	TBS45F	TBS65F	TBA25F	TBA255F	TBA35F	TBA45F	TBA65F

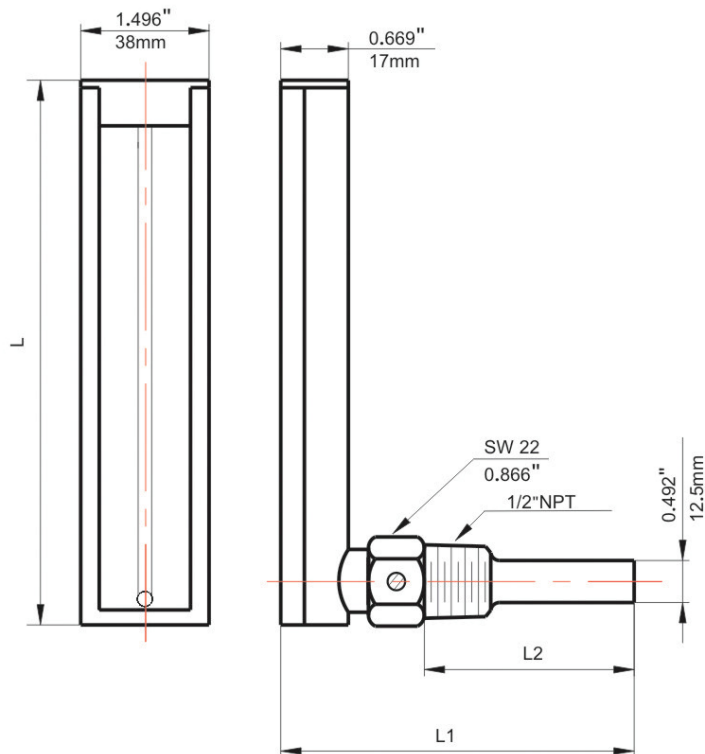


● TE6-1 Series Straight, Single Thermowell



L	L 1	L 2
6.378" (162mm)	9.173" (233mm)	2" (50mm)
	9.685" (246mm)	2.5" (63mm)
	10.157" (258mm)	3" (75mm)
	11.142" (283mm)	4" (100mm)

● TE6-1 Series 90° Angle, Single Thermowell



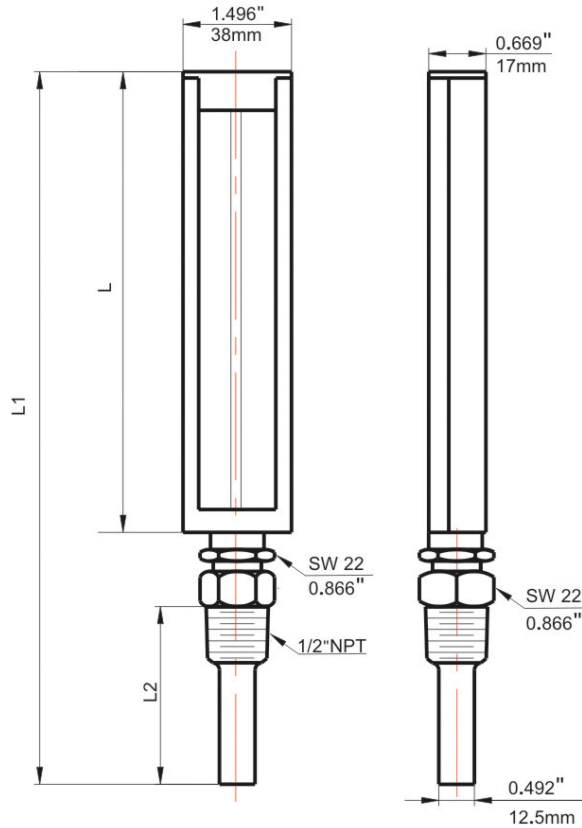
L	L 1	L 2
6.378" (162mm)	3.425" (87mm)	2" (50mm)
	3.937" (100mm)	2.5" (63mm)
	4.409" (112mm)	3" (75mm)
	5.394" (137mm)	4" (100mm)



6" Industrial Thermometer

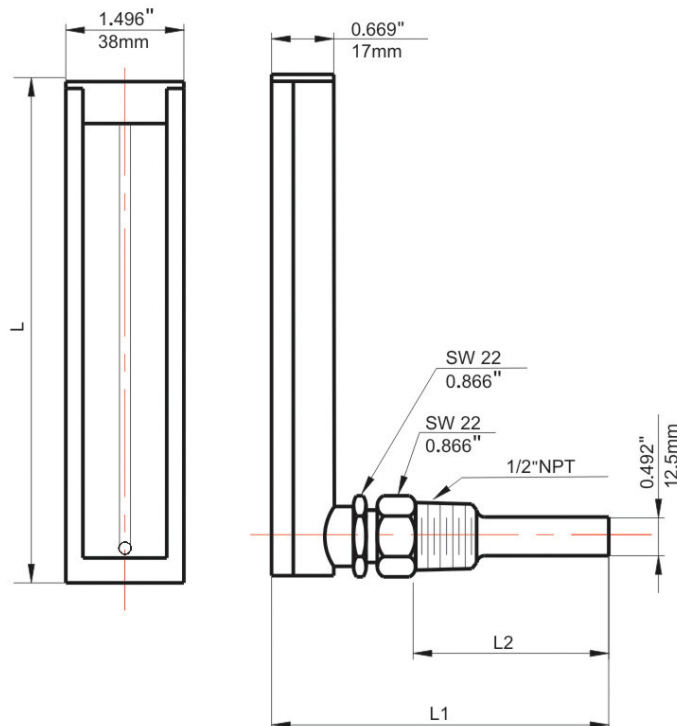
TE6 Series

● TE6-2 Series Straight, Double Thermowells



L	L1	L2
6.378" (162mm)	3.583" (91mm)	2" (50mm)
	4.094" (104mm)	2.5" (63mm)
	4.567" (116mm)	3" (75mm)
	5.551" (141mm)	4" (100mm)
	7.520" (191mm)	6" (150mm)

● TE6-2 Series 90° Angle, Double Thermowells



L	L1	L2
6.378" (162mm)	9.291" (236mm)	2" (50mm)
	9.803" (249mm)	2.5" (63mm)
	10.276" (261mm)	3" (75mm)
	11.260" (286mm)	4" (100mm)
	13.228" (336mm)	6" (150mm)