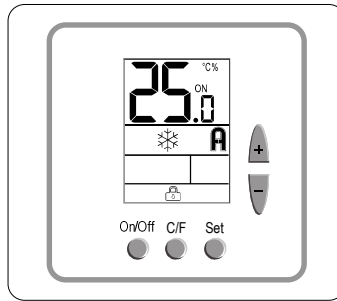


# ALT24-CPH-1S

## Operating instructions and Technician settings



### 1. Operating instructions

#### 1.1 Turning the unit On or Off

- Press the [On/Off] button to turn the unit On.  
The word "ON" will appear on display.
- \*Press and hold the [On/Off] button for 5 seconds to turn the unit Off.  
The word "OFF" will appear on display.

\*For thermostat with Auto mode configuration, press and hold the [On/Off] button to turn the unit Off.

#### 1.2 Adjusting the set-point temperature

- Press the [+] or [-] buttons – the set-point temperature will flash.
- Press the [+] or [-] again to adjust the set-point temperature.

#### 1.3 Temperature scale

- Press the [C/F] button – to switch between temperature scales.

#### 1.4 System mode

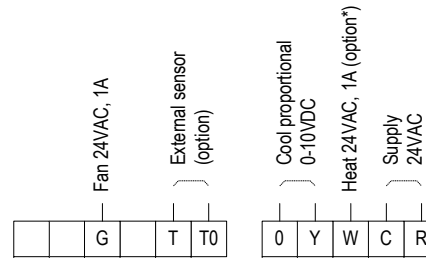
The system mode configuration is set by DIP switches SW1.4 and SW1.5 as follows:

- SW1.4 ON, SW1.5 OFF – Auto mode configuration (Cool and Heat)

- SW1.4 OFF, SW1.5 ON – Cool only configuration

- In cool only configuration, the system mode will always be Cool.  
The cool icon ❄️ will flash during demand for cooling (set point lower than ambient).
- In Auto mode configuration, the system mode will always be Auto.  
The active mode depends on the difference between set point and room temperatures.  
The Auto icon 🏠 will always appear on display and the active mode ❄️ or 🔥 will flash during demand for cooling or heating.

### 2. Wiring connections

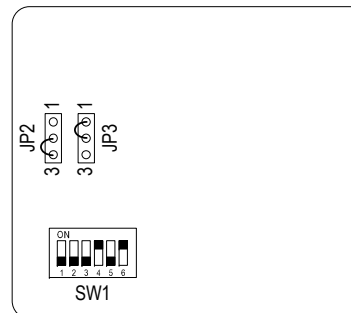


\*Heat output for Auto mode configuration only.

### 3. DIP switches and Jumpers configuration

	OFF	ON	Default
SW1.1	1 Minute Cut-off/Cut-on delay for heat (in Auto configuration)	No Cut-off/Cut-on delay for heat (in Auto configuration)	OFF
SW1.2	Internal sensor	External sensor	OFF
SW1.3	Normal temperature display	Set point only display	OFF
SW1.4	Cool only configuration	Auto mode configuration (Cool and Heat)	ON
SW1.5	Auto mode configuration (Cool and Heat)	Cool only configuration	OFF
SW1.6	Not in use – Always ON		ON

JP2	Not in use – Always in pos. 3	Pos. 3
JP3	Not in use – Always in pos. 1	Pos. 1



### 3. Technician settings

#### Enter technician settings.

- Press and hold the [Set] button (5 sec.) - "50" will appear on display.
- Using the [+] button to change the number to "55" and press the [Set] button again to enter technician settings.
  - When in technician settings mode, press the [Set] button to proceed through the parameters.
  - Use the [+] and [-] buttons to select/adjust parameter values.
  - Press the [On/Off] button or wait 60 seconds to exit technician settings and return to normal display.

#### P01 - Adjust the Offset for calibration of temperature reading

Range -6°C...+6°C / -9°F...+9°F, default 0°C / 0°F

#### P02 – Set point temperature limit for cool

(Auto mode configuration only!)

Range 10°C...30°C / 50°F...86°F, default 10°C / 50°F

#### P03 – Set point temperature limit for heat

(Auto mode configuration only!)

Range 10°C...30°C / 50°F...86°F, default 30°C / 86°F

#### P29 – Enable/Disable LCD backlight

Select between: "0" - Disable backlight, "1" - Enable backlight

#### P30 – Enable/Disable Beeper

Select between: "0" - Disable beeper, "1" - Enable beeper

#### P52 – Adjust the proportional band for the cool 0-10VDC output

Range 2°C...10°C / 4°F...20°F, default 4°C / 8°F

#### P53 – Adjust the low limit for the cool 0-10VDC output

Range 0...3VDC, default 0VDC

#### P54 – Adjust the high limit voltage for the cool 0-10VDC output

(Auto mode configuration only!)

Range 6...10VDC, default 10VDC

#### P58 – Adjust the output voltage for the cool 0-10VDC output (T,0) in heating

(Auto mode configuration only!)

Range 0...10VDC, default 0VDC

- Press the [Set] button again or wait 60 seconds to return to normal display.

#### Lock the [+] and [-] buttons to prevent unwanted temperature adjustment

- Press and hold the [Set] button (5 sec.) - "50" will appear on display.
- Using the [-] button to change the number to "45".
- Press the [Set] button again to lock the [+] and [-] buttons – the lock icon 🔒 will appear on display.
- Repeat the steps above to unlock the buttons.