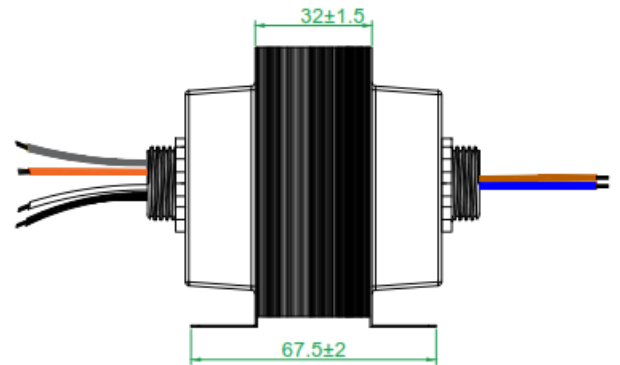
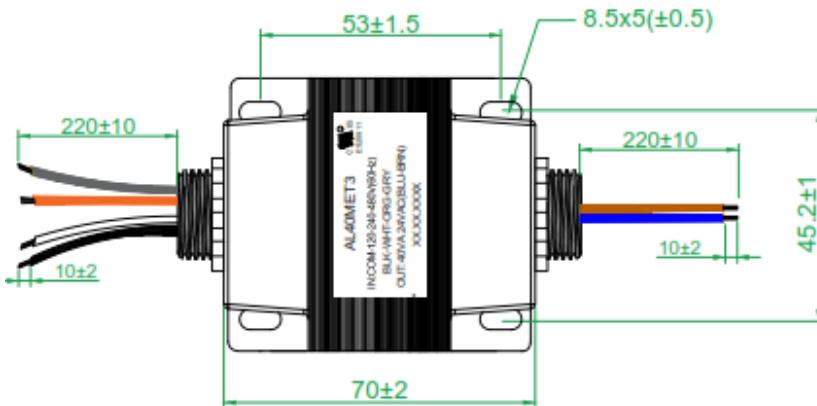


B, Specification

- 1) Exciting-current: Input AC 480V 60Hz 50mA MAX.
- 2) No load voltage: Input AC 480V
Output S: AC 26.3V ±3%
- 3) Load voltage: Input AC 480V 60Hz
Output : AC 24V±5%@1.67A .
- 4) Hi-pot test:
primary&secondary&iron core 3.6KV The leakage 2mA max for 2sec
secondary&iron core 0.6KV The leakage 2mA max for 2 sec .
- 5) Class B
- 6) Temp rise max 80°C MAX

Technical Parameters:
1: Unit: mm



C, Materials List

Number	Description	Part Number/Type	Manufacturer	UL
1	Copper Wire	QA-155°C	Ningbo Jingtian New Material Co.,LTD OR EQUAL	E227047
2	Core	H50-50-A	Zhongshan Lijia Iron & Steel Industry Co. LTD	N/A
3	Bobbin	70G33L(+) Polyamide 66	Pinghu Senmei Plastic Factory Co. LTD OR EQUAL	
4	Tape	PVCH(Thermoplastic PVC insulating tapes)	Jingjiang heng he rubber industry co ltd	E219145
5	jig	EI66	Benye Electromechanical Technology Co., LTD	N/A
6	Lead Wire	UL1015	Ltk electric wire (huizhou)ltd	E148000
7	Internal fuse	2A 125° C 250V	Zhangzhou Yabao Electronics Co., LTD	N/A

A, Diagram

