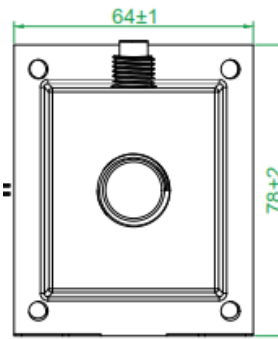


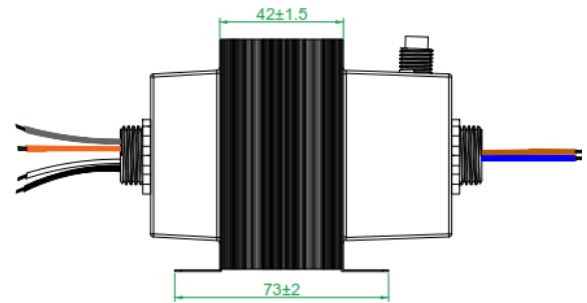
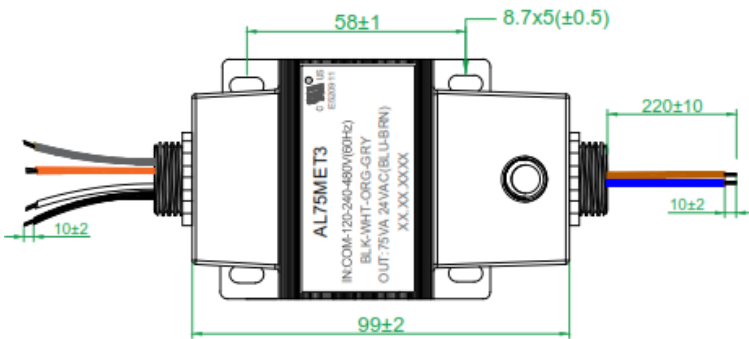
ALTRANSFO



B, Specification

- 1), Exciting-current: Input AC 480V 60Hz 100mA MAX.
- 2), No load volage: Input AC 480V
Output S: AC 26.0V ±3%
- 3), Load voltage: Input AC 480V 60Hz
Output :AC 24V±5% @3.12A .
- 4), Hi-pot test:
primary&secondary&iron core 3.6KV The leakage 2mA max for 2sec
secondary&iron core 0.6KV The leakage 2mA max for 2 sec .
- 5), Class B
- 6), Temp rise max 80°C MAX

Technical Parameters:
1: Unit: mm



C, Materials List

Number	Description	Part Number/Type	Manufacturer	UL
1	Copper Wire	QA-155°C	Ningbo Jingtian New Material Co.,LTD OR EQUAL	E227047
2	Core	H30-50-A	Jiangyin Hengtong Electric Appliance Co., LTD OR EQUAL	N/A
3	Bobbin	70G33L(+) Polyamide 66	Pinghu Senmei Plastic Factory Co. LTD OR EQUAL	
4	Tape	PVCH(Thermoplastic PVC insulating tapes)	Jingjiang heng he rubber industry co ltd	E219145
5	jig	EI76	Benye Electromechanical Technology Co., LTD	N/A
6	Lead Wire	UL1015	Ltk electric wire (huizhou)ltd	E148000
7	circuit breaker	4A	Topstone corporation	N/A

A, Diagram

